

Feller®

User's Manual
**Microwave
Oven**
Bedienungsanleitung
Mikrowellenherd



MW 2550 FS

Microwave Oven

IMPORTANT SAFETY INSTRUCTIONS
READ CAREFULLY AND KEEP FOR FUTURE REFERENCE

- **WARNING:** when the appliance is operated in the combination mode, children should only use the oven under adult supervision due to the temperatures generated;
- **WARNING:** if the door or door seals are damaged, the oven must not be operated until it has been repaired by a competent person;
- **WARNING:** it is hazardous for anyone other than a competent person to carry out any service or repair operation that involves the removal of a cover which gives protection against exposure to microwave energy;
- **WARNING:** liquids and other foods must not be heated in sealed containers since they are liable to explode
- **WARNING:** Only allow children to use the oven without supervision when adequate instructions have been given so that the child is able to use the oven in a safe way and understands the hazards of improper use;
- only use utensils that are suitable for use in microwave ovens
- when heating food in plastic or paper containers, keep an eye on the oven due to the possibility of ignition;
- if smoke is observed, switch off or unplug the appliance and keep the door closed in order to stifle any flames;
- microwave heating of beverages can result in delayed eruptive boiling, therefore care must be taken when handling the container;
- the contents of feeding bottles and baby food jars shall be stirred or shaken and the temperature checked before consumption, in order to avoid burns;
- eggs in their shell and whole hard-boiled eggs should not be heated in microwave ovens since they may explode, even after microwave heating has ended;
- the oven should be cleaned regularly and any food deposits removed;
- failure to maintain the oven in a clean condition could lead to deterioration of the surface that could adversely affect the life of the appliance and possibly result in a hazardous situation;
- if the supply cord is damaged, it must be replaced by the manufacturer, its service agent or similarly qualified persons in order to avoid a hazard.
- The temperature of accessible surfaces may be high when the appliance is operating.

SPECIFICATIONS

Power consumption:	230V~50Hz,1400W
Output:	900W
Grill heater:	1200W
Operating Frequency:	2,450MHz
Outside Dimensions:	510mm(W) X 382mm(D) X 303mm(H)
Oven Cavity Dimensions:	330mm(W) X 330mm(D) X 230mm(H)
Oven Capacity:	25 litres
Uncrated Weight:	Approx. 17.5kg

BEFORE YOU CALL FOR SERVICE

1. If the oven will not perform at all, the display does not appear or the display disappears:
 - a) Check to ensure that the oven is plugged in securely. If it is not, remove the plug from the outlet, wait 10 seconds and plug it in again securely.
 - b) Check the premises for a blown circuit fuse or a tripped main circuit breaker. If these seem to be operating properly, test the outlet with another appliance.
2. If the microwave power does not function:
 - a) Check to see whether the timer is set.
 - b) Check to make sure that the door is securely closed to engage the safety interlocks. Otherwise, the microwave energy will not flow into the oven.

IF NONE OF THE ABOVE RECTIFIES THE SITUATION, THEN CONTACT THE AUTHORIZED SERVICE AGENT.

Note:

The appliance is for household use for heating food and beverages using electromagnetic energy and for indoor use only.

RADIO INTERFERENCE

Microwave oven may cause interference to your radio, TV, or similar equipment. When interference occurs, it may be eliminated or reduced by the following procedures.

- a. Clean the door and sealing surface of the oven.
- b. Place the radio, TV, etc. as far away from your microwave oven as possible.
- c. Use a properly installed antenna for your radio, TV, etc. to get a strong signal reception.

INSTALLATION

1. Make sure all the packing materials are removed from the inside of the door.
2. Inspect the oven after unpacking for any visual damage such as:
 - Misaligned Door
 - Damaged Door
 - Dents or Holes in Door Window and Screen
 - Dents in CavityIf any of the above are visible, DO NOT use the oven.
3. This Microwave Oven weighs 17.5 kg and must be placed on a horizontal surface strong enough to support this weight.
4. The oven must be placed away from high temperature and steam.
5. DO NOT place anything on top of the oven.
6. DO NOT remove the turn -table drive shaft.
7. As with any appliance, close supervision is necessary when used by children.

WARNING-THIS APPLIANCE MUST BE EARTHED.

1. The plug socket should be within easy reach of the power cord
2. This oven requires 1.5 KVA for its input. consultation with service engineer is suggested when installing the oven.

CAUTION:This oven is protected internally by ac 250V,10 Amp Fuse.

IMPORTANT

The wires in this mains lead are coloured in accordance with the following code:

Green-and-yellow	: Earth
Blue	: Neutral
Brown	: Live

As the colours of the wires in the mains leads of the appliance may not correspond with the coloured markings identifying the terminals in your plug, proceed as follows:

The wire which is coloured green-and-yellow must be connected to the terminal in the plug which is marked with the letter E or by the earth symbol coloured green of green-and-yellow.

The wire which is coloured blue must be connected to the terminal which is marked with the letter N or coloured black.

The wire which is coloured brown must be connected to the terminal which is marked with the letter L or coloured red.

IMPORTANT SAFETY INSTRUCTIONS

- WARNING: When the appliance is operated in the combination mode, children should only use the oven under adult supervision due to the temperatures generated; (Only for the model with grill function)
- WARNING: If the door or door seals are damaged, the oven must not be operated until it has been repaired by a competent person;
- WARNING: It is hazardous for anyone other than a competent person to carry out any service or repair operation that involves the removal of a cover which gives protection against exposure to microwave energy;
- WARNING: liquids and other foods must not be heated in sealed containers since they are liable to explode.
- WARNING: Only allow children to use the oven without supervision when adequate instructions have been given so that the child is able to use the oven in a safe way and understands the hazards of improper use;
- The oven must have sufficient air flow.Keep 10 cm space at back;15 cm at both sides and 30cms from top of the oven.Don't remove oven's feet, do not block air events of the oven.
- Only use utensils that are suitable for use in microwave ovens.
- When heating food in plastic or paper containers, keep an eye on the oven due to the possibility of ignition;
- If smoke is observed, switch off or unplug the appliance and keep the door closed in order to stifle any flames;
- Microwave heating of beverages can result in delayed eruptive boiling, therefore care must be taken when handling the container;
- The contents of feeding bottles and baby food jars shall be stirred or shaken and the temperature checked before consumption, in order to avoid burns;
- Eggs in their shell and whole hard-boiled eggs should not be heated in microwave ovens since they may explode, even after microwave heating has ended;
- When cleaning surfaces of door, door seal, cavity of the oven, use only mild, nonabrasive soaps, or detergents applied with a sponge or soft cloth.
- The oven should be cleaned regularly and any food deposits removed;
- Failure to maintain the oven in a clean condition could lead to deterioration of the surface that could adversely affect the life of the appliance and possibly result in a hazardous situation;
- If the supply cord is damaged, it must be replaced by the manufacturer, its service agent or similarly qualified persons in order to avoid a hazard.

SAFETY INSTRUCTIONS FOR GENERAL USE

Listed below are, as with all appliances, certain rules to follow and safeguards to assure top performance from this oven:

1. Always have the glass tray, roller arms, coupling and roller track in place when operating the oven.
2. Do not use the oven for any reason other than food preparation, such as for drying clothes, paper, or any other nonfood items, or for sterilizing purposes.
3. Do not operate the oven when empty. This could damage the oven.
4. Do not use the oven cavity for any type of storage,such a papers, cookbooks, etc.
- 5.Do not cook any food surrounded by a membrane,such as egg yolks,potatoes,chicken livers,etc without first being pierced several times with a fork.

6. Do not insert any object into the openings on the outer case.
7. Do not at any time remove parts from the oven such as the feet, coupling, screws, etc.

8. Do not cook food directly on the glass tray. Place food in/on proper cooking utensil before placing in the oven.

9. **IMPORTANT-COOKWARE NOT TO USE IN YOUR MICROWAVE OVEN**

Do not use metal pans or dishes with metal handles.

Do not use anything with metal trim.

Do not use paper covered wire twist-ties on plastic bags.

Do not use melamine dishes as they contain a material which will absorb microwave energy. This may cause the dishes to crack or char and will slow down the cooking speed.

Do not use Centura Tableware. The glaze is not suitable for microwave use. Corelle Livingware closed handle cups should not be used.

Do not cook in a container with a restricted opening, such as a pop bottle or salad oil bottle, as they may explode if heated in a microwave oven.

Do not use conventional meat or candy thermometers. There are the thermometers available specifically for microwave cooking. These may be used.

10. Microwave utensils should be used only in accordance with manufacturer's instructions.
11. Do not attempt to deep-fry foods in this oven.
12. Please remember that a microwave oven only heats the liquid in a container rather than the container itself. Therefore, even though the lid of a container is not hot to the touch when

removed from the oven, please remember that the food/liquid inside will be releasing the same amount of steam and/or spitting when the lid is removed as in conventional cooking.

13. Always test the temperature of cooked food yourself especially if you are heating or cooking food/liquid for babies. It is advisable never to consume food/liquid straight from the oven but allow it to stand for a few minutes and stir food/liquid to distribute heat evenly.

14. Food containing a mixture of fat and water, e.g. stock, should stand for 30-60 seconds in the oven after it has been turned off. This is to allow the mixture to settle and to prevent bubbling when a spoon is placed in the food/liquid or a stock cube is added.

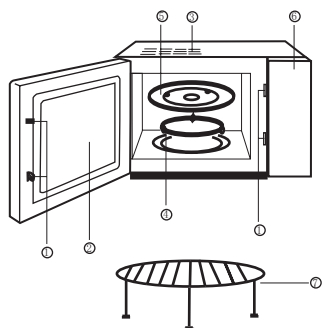
15. When preparing/cooking food/liquid and remember that there are certain foods, e.g. Christmas puddings, jam and mincemeat, which heat up very quickly. When heating or cooking foods with a high fat or sugar content do not use plastic containers.

16. Cooking utensil may become hot because of heat transferred from the heated food. This is especially true if plastic wrap has been covering the top and handles of the utensil. Potholders may be needed to handle the utensil.

17. To reduce the risk of fire in the oven cavity:

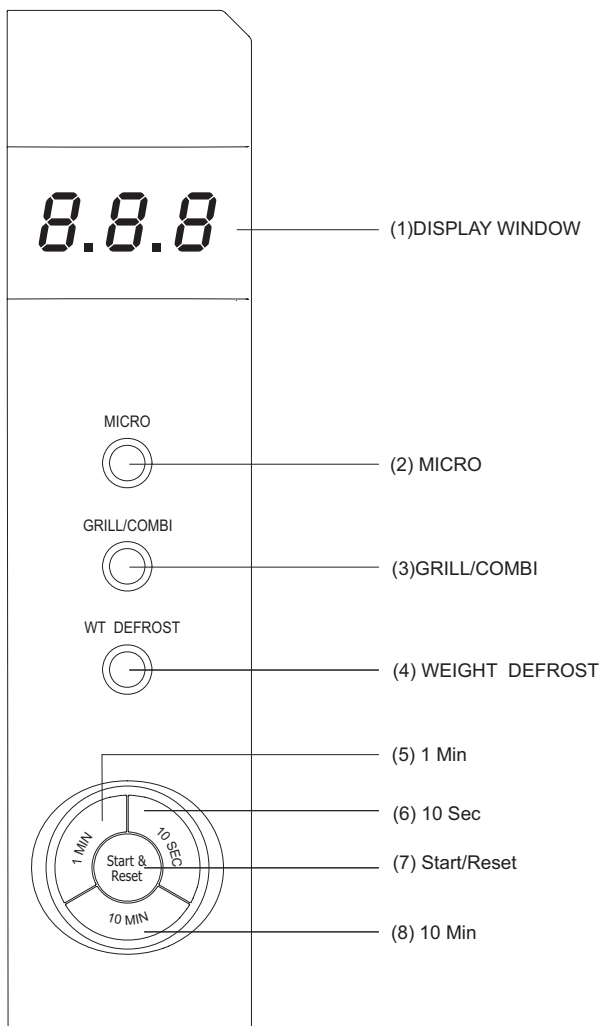
- (a) Do not overcook food. Carefully attend microwave oven if paper, plastic, or other combustible materials are placed inside the oven to facilitate cooking.
- (b) Remove wire twist-ties from bags before placing bag in oven.
- (c) If materials inside the oven should ignite, keep oven door closed, turn the oven off at the wall switch, or shut off power at the fuse or circuit breaker panel.

FEATURE DIAGRAM



- (1) Door Safety Lock System
- (2) Oven Window
- (3) Oven Air Vent
- (4) Roller Ring
- (5) Glass Tray
- (6) Control Panel
- (7) Grill rack

CONTROL PANEL



OPERATION INSTRUCTION

1.SIMPLE COOKING

You only need press "START/RESET" to start cooking for 1 min with 100% microwave power. Each press means increasing one minute cooking time, the maximum time is 30 min. After cooking finished you will sound five beeps for remind.

Press and hold the "Start/Reset" for 2 seconds to stop.

2.MICROWAVE COOKING

(A) Fast cooking method

(For example: Select 100% power to cook foods for 5 minutes.)

- a) Set the time "5:00"
- b) Press "Start" button

(B) Control by hand

(For example: Select 70% power to cook foods for 10 minutes)

- a) Press "MICRO" button to select 70% power.
- b) Press time button to set cooking time "10:00"
- c) Press "Start/Reset" button.

You can press "MICRO" button to select power.

Step	Display	Micro power
1	P10	100%
2	P7	70%
3	P5	50%
4	P3	30%
5	P1	10%

3.AUTO DEFROST FUNCTION

You need to press "1Min" (1.0kg) and "10Sec" (0.1kg) according to the weight of the food.The oven can select defrosting program and auto start defrosting.

For example: defrost 0.4kg frozen foods

- 1) Press "WT DEFROST" to choose defrost function, display "0.1".
- 2) Set weight "0.4kg" by pressing "1Min" and "10Sec" buttons.
- 3).Press "Start/Reset" button.

Remark: the maximum weight is 2kgs.

4.GRILL/COMBINATION COOKING FUNCTION

This function has four modes, you can choose the favourite mode by pressing the "GRILL/COMBI" button.

(The maximum time is 60 minutes)

Mode 1: 85% grill power, display "G-1".

Mode 2: 50% grill power, display "G-2".

Mode 3: Combination cook I (55% micro+45% grill) display "C-1".

Mode 4: Combination cooking II (30% microwave+ 70% grill) display "C-2".

In grill operation (exclusive combination grill), the procedure will pause automatically and sound two beeps to remind you to turn over the food at the half of cooking time. Close the oven door after you turn over the food, then press "Start/Reset", cooking will continue; If you do not want to turn over the food, the oven will continue cooking automatically after one minute pause.

5.START AND RESET

1) Open door status

Press "Start/Reset" button to cancel setting or cooking program.

2) Close door status

Press "Start/Reset" button to start cooking after setting cooking program.

Press "Start/Reset" button to continue cooking when the cooking is in pause status.

Press "Start/Reset" button to stop working when the microwave oven is operating.

7.CHILDREN SAFETY LOCK

To activate the Child Lock, press "1Min" and "10Sec" buttons at the same time for 2 seconds.

After that press any button is useless. If press "1Min" and "10Sec" button at the same time for 2 seconds again it will unlock this function.

CARE OF YOUR MICROWAVE OVEN

- 1.Turn the oven off and remove the power plug from the wall socket before cleaning.
- 2.Keep the inside of the oven clean.When food splatters or spilled liquids adhere to oven walls,wipe with a damp cloth.The use of harsh detergent or abrasives is not recommended.
- 3.The outside oven surface should be cleaned with a damp cloth.To prevent damage to the operating parts inside the oven,water should not be allowed to seep into the ventilation openings.
- 4.Do not allow the Control Panel to become wet. Clean with a soft, damp cloth, Do not use detergents, abrasives or spray-on cleaners on the control Panel.
- 5.If steam accumulates inside or around the outside of the oven door, wipe with a soft cloth.This may occur when the microwave oven is operated under high humidity conditions and in no way indicates malfunction of the unit.
- 6.It is occasionally necessary to remove the glass tray for cleaning.Wash the tray in warm sudsy water or in a dishwasher.
- 7.The roller ring and oven cavity floor should be cleaned regularly to avoid excessive noise.Simply wipe the bottom surface of the oven with mild detergent,water or window cleaner and dry.The roller ring may be washed in mild sudsy water or dish washer.Cooking vapour collect during repeated use but in no way affect the bottom surface or roller ring wheels.
When removing the roller ring from cavity floor for cleaning,be sure to replace it in the proper position.
- 8.Remove odors from your oven by combining a cup of water with the juice and skin of one lemon in a deep microwaveable bowl. Microwave for 5 minutes,wipe thoroughly and dry with a soft cloth.
- 9.When it becomes necessary to replace the oven light,please consult a dealer to have it replaced.

Gebrauchsanweisung

Mikrowellenherd MW 2550 FS

Herzlichen Glückwunsch zum Kauf Ihres neuen hochwertigen Mikrowellengerätes. Sie haben ein modernes und zuverlässiges Gerät gekauft, an dem Sie sicherlich lange Jahre Freude haben werden. Wie bei jedem technischen Gerät gilt es auch bei diesem Gerät einige grundlegende Dinge zu beachten und einzuhalten. Bitte lesen Sie deshalb diese

Gebrauchsanweisung genau durch und bewahren Sie sie auf.

Bitte beachten Sie vor allem die Sicherheitshinweise.

Produktdetails:

Stromverbrauch:	230V~50Hz, 1450W
Leistung:	900 W
Grillheizer:	1200 W
Betriebsfrequenz:	2,450MHz
Außenmaße:	303 mm (H) x 510 mm (B) x 382 mm (T)
Innenmaße:	230 mm (H) x 330 mm (B) x 330 mm (T)
Ofenkapazität:	25 Liter
Gewicht ohne Verpackung:	ca. 17,5 kg

Sicherheitshinweise

Vor Gebrauch lesen Sie bitte diese Sicherheitshinweise sorgfältig durch, auch wenn Sie schon mit diesem Gerät vertraut sind und bewahren Sie sie sorgfältig auf. Sollten Sie dieses Gerät einer dritten Person zur Verfügung stellen, so fügen Sie diese Sicherheitshinweise für einen korrekten Gebrauch bei.

- Bevor Sie das Gerät anschließen, überprüfen Sie, ob Betriebs- und Netzspannung übereinstimmen. Sollte dies nicht der Fall sein, nehmen Sie das Gerät nicht in Betrieb.
- Sorgfältige Aufsicht ist erforderlich, wenn das Gerät in der Nähe von Kindern betrieben wird. Sollen Kinder das Gerät ohne Aufsicht benutzen, müssen Sie unbedingt sicher stellen, dass ihnen die Bedienung so erklärt wurde, dass sie das Gerät sicher bedienen können. Die Kinder müssen die möglichen Gefahren einer falschen Bedienung erkennen. Ansonsten wird von einer Bedienung des Geräts von Kindern ohne Aufsicht abgeraten.
- Bitte benutzen Sie dieses Gerät nicht im Freien. Halten Sie es vor Hitze, direkter Sonneneinstrahlung, Feuchtigkeit (auf keinen Fall in Flüssigkeiten tauchen) und von scharfen Kanten fern. Benutzen Sie das Gerät nicht mit feuchten Händen. Bei feucht oder nass gewordenem Gerät sofort den Netzstecker ziehen.
- Schalten Sie das Gerät aus und ziehen Sie immer den Stecker aus der Steckdose (ziehen Sie am Stecker, nicht am Kabel) wenn Sie das Gerät nicht benutzen.
- Betreiben Sie das Gerät nicht unbeaufsichtigt. Sollten Sie den Arbeitsplatz verlassen, schalten Sie das Gerät bitte immer aus bzw. ziehen Sie den Stecker aus der Steckdose.

- Stellen Sie das Gerät nicht in die Nähe eines heißen Gas- oder elektrischen Brenners oder in einen geheizten Ofen.
- Reparaturen an diesem Gerät dürfen nur von Fachkräften durchgeführt werden. Durch unsachgemäße Reparaturen können erhebliche Gefahren, unter anderem die der Bestrahlung entstehen. Wenden Sie sich im Reparaturfall ausschließlich an einen Fachmann.
- Wird das Gerät zweckentfremdet oder falsch bedient, kann keine Haftung für eventuelle Schäden übernommen werden.
- Erwärmen Sie niemals Speisen oder Flüssigkeiten in verschlossenen Behältern oder Flaschen. Bei Babyflaschen müssen Sie vorher Verschlusskappe und Sauger entfernen. Es baut sich sonst ein Druck auf, der Behälter / Flaschen explodieren lässt.

Verletzungsgefahr!

- Prüfen Sie nach dem Herausnehmen der Speise, ob diese die gewünschte Temperatur erreicht hat. Richten Sie sich nicht nach der Geschirrtemperatur! Achten Sie besonders beim Erwärmen von Babynahrung auf eine verträgliche Temperatur! Nach dem Erwärmen die Babynahrung gut umrühren oder schütteln, und dann die Nahrung probieren, damit sich das Baby nicht verbrennt. Beim Erwärmen von Speisen wird die Wärme direkt in der Speise erzeugt, dadurch bleibt das Geschirr kälter. Es erwärmt sich nur durch die Wärmeübertragung der Speise.
- Verwenden Sie bitte nur Utensilien, die für den Gebrauch in Mikrowellengeräten geeignet sind.
- Lassen Sie das Gerät nicht unbeaufsichtigt, wenn Sie Lebensmittel in Einweg-Behältern aus Kunststoff, Papier oder anderen brennbaren Werkstoffen erhitzen oder garen. Einweg-Behälter aus Kunststoff müssen die unter „Geschirrhinweise für die Mikrowelle / Kunststoff“ aufgeführten Eigenschaften aufweisen.
- Sollten Sie eine Rauchentwicklung beobachten, schalten Sie bitte sofort das Gerät aus und ziehen Sie den Stecker aus der Steckdose (ziehen Sie dabei immer am Stecker, nie am Kabel). Halten Sie bitte die Tür des Gerätes verschlossen, um etwaige Flammen zu ersticken.
- Beim Kochen, insbesondere beim Nacherhitzen von Flüssigkeiten mit Mikrowelle, kann es vorkommen, dass die Siedetemperatur zwar erreicht ist, die typischen Dampfblasen aber noch nicht aufsteigen. Die Flüssigkeit siedet nicht gleichmäßig. Dieser sogenannte Siedeverzug kann beim Entnehmen des Gefäßes bzw. bei einer Erschütterung zu einer plötzlichen beginnenden Dampfblasenbildung und damit zum plötzlichen explosionsartigen Überkochen führen. **Verbrennungsgefahr!** Die Dampfblasenbildung kann so stark sein, dass sich die Gerätetür selbsttätig öffnen kann. **Verletzungs- und Beschädigungsgefahr!**
- Erhitzen Sie keinen Alkohol im unverdünnten Zustand. **Brandgefahr!**
- Dosen sind zum Einkochen ungeeignet. Es entsteht ein Überdruck. Die Dosen können platzen. **Verletzungs- und Beschädigungsgefahr!**
- Decken Sie Speisen stets mit einem Deckel oder einer Folie (keine Alu-Folie) zu, wenn Sie sie im Garraum aufbewahren. Die Feuchtigkeit der Speisen kann sonst zur Korrosion im Gerät führen. Außerdem vermeiden Sie das Austrocknen der Speisen.
- Kochsalzhaltige Speisen oder Flüssigkeiten sofort gründlich entfernen, wenn sie an die Edelstahlwände des Garraumes gelangen, um Korrosion zu vermeiden.
- Kochen Sie Eier in Schale nur im Spezialgeschirr. Erwärmen Sie keine hartgekochten Eier im Mikrowellengerät. Die Eier platzen, auch noch nach dem Herausnehmen aus dem Garraum. **Verletzungs- und Verbrennungsgefahr!**
- Eier ohne Schale sollten Sie mit Mikrowellen nur dann garen, wenn Sie die Haut des Eidotters vorher mehrmals anstechen. Das Eidotter kann sonst nach dem Garen mit Hochdruck herausspritzen. **Verletzungsgefahr!**

- Lebensmittel mit fester Membran wie z.B. Würstchen, Pellkartoffeln, Auberginen, Tomaten mehrmals anstechen bzw. einkerben, damit entstehender Dampf entweichen kann und die Lebensmittel nicht platzen.
- Erwärmen Sie im Mirowellengerät keine Speisen in Warmhalteverpackungen, wie Tüten für gegrillte Hähnchen. Die Warmhalteverpackungen bestehen u.a. aus einer dünnen Alu-Folie. Diese Folie reflektiert Mikrowellen, die die Papierschicht so stark erhitzen können, bis diese brennt. **Brandgefahr!**
- Bitte schalten Sie das Mikrowellengerät erst ein, wenn sich Nahrungsgut oder Bräunungsgeschirr im Garraum befinden, und betreiben Sie es nur mit dem eingesetzten Drehteller.
- Verwenden Sie das Mikrowellengerät keinesfalls zum Frittieren. Bei Arbeiten mit Ölen und Fetten behalten Sie bitte das Gerät im Auge, da ansonsten Brandgefahr besteht!
- Der Ofen sollte regelmäßig gereinigt und alle Essensreste beseitigt werden, da ansonsten die Oberfläche zerstört wird, was die Langlebigkeit des Gerätes nachhaltig negativ beeinflussen und möglicherweise eine Gefahrensituation herbeiführen könnte.
- Die Oberflächen des Gerätes können sich stark erhitzen, wenn Sie das Gerät betreiben.
- Das Gerät ist nur für den privaten Gebrauch geeignet und wurde für die Erhitzung von Nahrungsmitteln und Getränken durch elektromagnetische Wellen konzipiert.
- Verwenden Sie keine Metallbehälter, keine Alu-Folie, keine Bestecke, kein Geschirr mit einer Metallauflage, kein bleihaltiges Kristallglas, keine Schalen mit einem gerändelten Rand, kein temperaturunbeständiges Kunststoffgeschirr, kein Holzgeschirr, keine Metallklipse, keine Kunststoff- und Papierklipse mit innenliegendem Draht, keine Sahnebecher mit unvollständig abgezogenem Deckel. Benutzen Sie diese Gegenstände, kann das Geschirr beschädigt werden oder Brandgefahr bestehen. Der beiliegende Rost und der Drehteller sind speziell auf die Wellenlänge der Mirowellen abgestimmt und können somit beim Grillen mit und ohne Mikrowellenbetrieb eingesetzt werden.
- Rost und Glasplatte dürfen nicht gemeinsam eingesetzt werden, weil die Glasplatte sonst beschädigt wird. Stellen Sie die Glasplatte immer direkt auf den Drehteller.
- Verwenden Sie zum Garen kein Geschirr mit hohlen Griffelementen und Deckelknöpfen, in deren Hohlräume Feuchtigkeit gelangen kann. Ausnahme: Die Hohlräume werden ausreichend entlüftet. Es besteht sonst die Gefahr der Druckerzeugung mit explosionsartiger Zerstörung der betreffenden Hohlkörper. **Verletzungsgefahr!**
- Beim Grillen mit und ohne Mikrowellenbetrieb werden der Garraum, der Grillheizkörper, die Gerätetür und das Gehäuse heiß! Hindern Sie deshalb Kleinkinder daran, das Gerät während des Betriebs zu berühren. **Verbrennungsgefahr!**
- Die Glasplatte wird sehr heiß. Fassen Sie die Platte deshalb nur mit Topfhandschuhen an. Benutzen Sie zum Abstellen einen temperaturbeständigen Untersetzer. Der Rost wird beim Grillen (mit und ohne Mikrowellenbetrieb) heiß. **Verbrennungsgefahr!**
- Beim Einschieben oder Herausnehmen von Bräunungs- und Überbackungsgut sowie beim Hantieren im Garraum, wenn der Grill eingeschaltet ist bzw. kurz vorher eingeschaltet war, schützen Sie bitte Ihre Hände und Haut, z.B. durch Topfhandschuhe.
- Stellen Sie die heiße Glasfettpfanne nicht auf eine kalte Fläche, wie z.B. auf eine Arbeitsplatte aus Granit oder Fliesen. Die Glasfettpfanne kann sonst zerspringen. Benutzen Sie deshalb einen Untersetzer.
- Benutzen Sie das Gerät nicht zum Beheizen von Räumen. Durch die hohe Temperaturentwicklung im Garraum können entzündbare Gegenstände in der Nähe zu brennen beginnen.
- Das Gerät darf nicht als Ablagefläche benutzt werden. Die Wärme der Geräteoberseite kann dazu führen, dass bestimmtes Ablagegut zu schmelzen beginnt.

- Achten Sie beim Benutzen einer Steckdose in Gerätenähe darauf, dass die Anschlussleitung des jeweiligen Elektrogerätes nicht von der heißen Gerätetür eingeklemmt wird. Die Isolierung der Anschlussleitung kann beschädigt werden.
- Zur Kontrolle der Speisetemperatur unterbrechen Sie bitte den Betrieb. Verwenden Sie zum Messen der Speisemperaturen Spezialthermometer, niemals Quecksilber- oder Flüssigkeitsthermometer, da diese für die hohen Temperaturen ungeeignet sind und zu leicht zerbrechen.
- Verwenden Sie zum Reinigen des Mikrowellengerätes auf keinen Fall ein Dampf-Reinigungsgerät. Der Dampf kann an spannungsführende Teile des Mikrowellengerätes gelangen und einen Kurzschluss auslösen.

Installation

1. Stellen Sie sicher, dass Sie jegliches Verpackungsmaterial aus dem Inneren des Gerätes entfernt haben.
2. Überprüfen Sie das Gerät nach dem Auspacken auf mögliche sichtbare Mängel so wie:
 - verbogene Gerätetür
 - lose Türscharniere
 - sichtbare Löcher oder Risse am Gehäuse, an der Tür oder an den Garraumwänden.
 Im eingeschalteten Zustand könnten Mikrowellen austreten, die eine Gefahr für den Benutzer bedeuten würden.
Sollten Sie einen der aufgeführten Mängel entdecken, nehmen Sie das Gerät auf keinen Fall in Betrieb.
3. Diese Mikrowelle wiegt 17,5 kg und muss auf einer horizontalen Arbeitsfläche aufgestellt werden, die dieses Gewicht trägt.
4. Stellen Sie das Gerät nicht in unmittelbarer Nähe zu anderen Wärme- oder Dampfquellen auf.
5. Legen Sie nicht auf dem Gerät ab.
6. Öffnen Sie auf keinen Fall das Gehäuse des Mikrowellengerätes.
7. Wie bei jedem elektrischen Gerät, sollten Kinder es nur unter Aufsicht bedienen.

Achtung! Das Gerät muss geerdet werden!

Warnhinweise zur Installation:

- Werden spannungsführende Anschlüsse berührt und der elektrische und mechanische Aufbau verändert, besteht Stromschlaggefahr.
- Darüber hinaus können Funktionsstörungen am Gerät auftreten. Vergleichen Sie vor dem Anschließen des Mikrowellengerätes unbedingt die Anschlussdaten (Spannung und Frequenz) auf dem Typenschild mit denen des Elektronetzes. Diese Daten müssen unbedingt übereinstimmen, damit keine Schäden am Gerät auftreten.

Im Zweifelsfall fragen Sie Ihren Elektroinstallateur.

- Das Gerät erfordert 1.5 KVA für die Betreibung. Bitte lassen Sie das Gerät fachgerecht installieren.

Achtung! Dieses Gerät wird intern durch AC 250V, 10 Amp Fuse geschützt.

WICHTIG

Wir empfehlen die Installation durch einen Fachmann!

Die Kabel dieser Hauptleitung weisen eine Färbung nach folgendem Code auf:

Braun / Schwarz:	Stromführende Ader
Blau:	Neutral
Grün- und Gelb:	Erde

Da die Farben der Kabel der Hauptleitung des Gerätes möglicherweise nicht mit den farblichen Markierungen, der jeweiligen Anschlussklemmen Ihres Steckers übereinstimmen, gehen Sie bitte wie folgt vor:

- Das grün / gelbe Kabel muss an die Anschlussklemme Ihres Steckers mit der Markierung E oder durch das Erdsymbol \perp angeschlossen werden.
- Das blaue Kabel muss an die Anschlussklemme mit der schwarzen Markierung oder der Bezeichnung N angeschlossen werden.
- Das braune Kabel muss an die Anschlussklemme mit der roten Markierung oder der Bezeichnung L angeschlossen werden.
- Die elektrische Sicherheit des Gerätes ist nur dann gewährleistet, wenn es an ein vorschriftsmäßig installiertes Schutzleitersystem angeschlossen wird. Es ist sehr wichtig, dass diese grundlegende Sicherheitsvoraussetzung vorhanden ist. Im Zweifelsfall die Hausinstallation durch einen Fachmann überprüfen lassen.
- Der Hersteller kann für Schäden, die durch einen fehlenden oder unterbrochenen Schutzleiter verursacht wurden, nicht verantwortlich gemacht werden (z.B. Stromschlag).
- Der Anschluss des Gerätes an das Elektronetz darf nicht über ein Verlängerungskabel erfolgen. Verlängerungskabel gewähren nicht die nötige Sicherheit des Gerätes (z.B. Überhitzungsgefahr)

Allgemeine Sicherheitsvorschriften:

Bitte beachten Sie die folgenden Sicherheitsvorschriften, um die optimale Funktionstüchtigkeit des Mikrowellengerätes zu gewährleisten:

1. Bitte stellen Sie sicher, dass sich die Glassplatte, die Rollen, die Kupplung und die Röllchenbahn in der richtigen Position befinden, bevor Sie das Gerät in Betrieb nehmen.
2. Gebrauchen Sie das Gerät nicht für andere Zwecke als die Nahrungszubereitung. Bitte trocknen Sie keine Kleidung, Papier oder andere nicht essbare Dinge in dem Gerät und benutzen Sie es bitte nicht zu Sterilisationszwecken.
3. Bitte betreiben Sie das Gerät nicht, wenn es leer ist. Das könnte eine Beschädigung zur Folge haben.
4. Gebrauchen Sie das Innere des Gerätes nicht zu Aufbewahrungszwecken von Papieren oder Kochbüchern, etc.
5. Sorgen Sie dafür, dass die Speisen immer ausreichend erhitzt werden. Die hierfür erforderliche Zeit hängt von vielen Faktoren ab, wie von der Ausgangstemperatur, der Menge, der Art und Beschaffenheit der Speise, von Rezeptänderungen. Eventuell

vorhandene Keime in den Speisen werden nur bei einer ausreichend hohen Temperatur (> 70 °C) und bei einer ausreichend langen Zeit (>10 min) abgetötet. Wenn Sie Zweifel haben, ob die Speise genügend erhitzt wird, wählen Sie eine etwas längere Zeit.

Funktstörungen

Mikrowellengeräte können Funkstörungen im Zusammenhang mit Ihrem Radio, Fernsehgerät und ähnlichen Ausstattungen verursachen. Sollte dies der Fall sein, so können diese Störungen durch folgende Maßnahmen beseitigt werden:

- Säubern Sie die Tür und die abdichtende Oberfläche des Gerätes.
- Platzieren Sie Ihr Radio, Ihren Fernseher, o.ä. räumlich weit von dem Mikrowellengerät entfernt.
- Verwenden Sie eine korrekt installierte Antenne für Ihr Radio und Ihren Fernseher, um einen guten Empfang sicher zu stellen.

Gerätstörungen:

1. Sollte das Gerät nicht arbeiten, das Display nicht funktionieren oder wieder ausgehen:

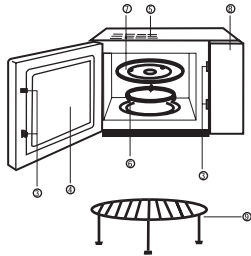
- Überprüfen Sie, ob das Gerät vorschriftsmäßig angeschlossen ist. Sollte dies nicht der Fall sein, ziehen Sie den Stecker aus der Steckdose, warten Sie 10 Sekunden und schließen Sie das Gerät erneut an.
- Stellen Sie sicher, dass die Steckdose an den Stromkreis angeschlossen ist.

2. Wenn trotz eines korrekten Stromanschlusses das Gerät nicht funktioniert:

- Überprüfen Sie, ob der Timer eingestellt ist.
- Überprüfen Sie, ob die Tür vorschriftsmäßig geschlossen ist, damit die Sicherheitsverriegelung greifen kann.
- Erst wenn diese Voraussetzungen erfüllt sind, ist das Gerät funktionstüchtig.

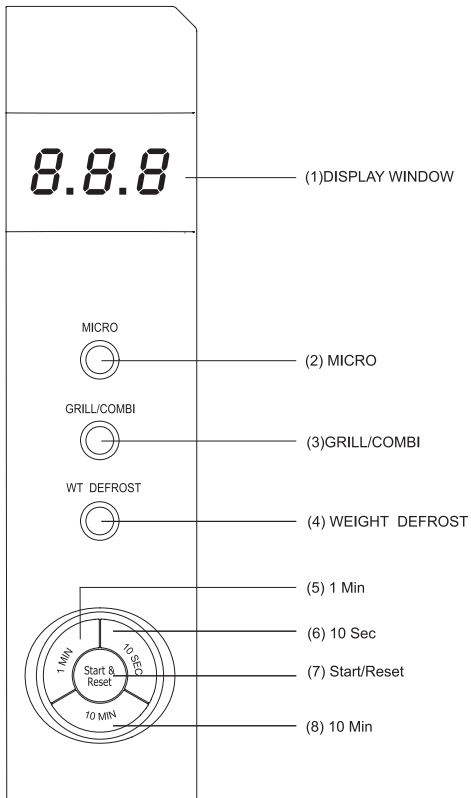
Sollte das Gerät trotz dieser Maßnahmen nicht funktionstüchtig sein, so wenden Sie sich bitte an einen Fachmann.

Gerätebeschreibung



1. Tür-Verschluss
2. Ofenfenster
3. Ofenluft-Ausgang
4. Rollvorrichtung
5. Drehteller
6. Bedienbereich
7. Grillrost

Computer-Kontroll-Element



Gebrauchsanweisung

1. Einfaches Erwärmen

Mit einmaligem Drücken auf den Knopf starten Sie das einfache Erwärmen. Es ist sehr komfortabel, um ein Glas Wasser zu erhitzen, etc.

Beispiel: Erwärmen von einem Glas Milch

- a. Stellen Sie ein Glas mit Milch auf den Glasdreheller und schließen Sie die Tür
- b. Drücken Sie den Knopf „Start/Reset“ das Mikrowellengerät arbeitet für eine Minute.
- c. Sie hören 5 Pieptöne, wenn das Erhitzen beendet ist.

2. Erhitzen mit Mikrowellen

Diese Funktion hat zwei Optionen.

- Automatische Mikrowellen-Erhitzung (100 % Leistung) für fünf Minuten

1. Stellen Sie die Zeit auf „5:00“ Minuten ein.
2. Drücken Sie auf „Start/Reset“

- Manuelle Mikrowellenerhitzung

Beispiel. Erhitzung von Nahrung auf „70 %“ Leistung für 10 Minuten

- a. Drücken Sie auf den Knopf „Micro“ wählen Sie „70 %“ Leistung,
- b. Stellen Sie die Zeit auf „10:00“ Minuten ein.
- c. Drücken Sie die Taste „Start/Reset“

Es gibt fünf Leistungslevel. Die längste Mikrowellen-Erhitzungszeit beträgt 60 Minuten. Für jedes Level drücken Sie die Taste ein Mal.

Level	Mikrowellen-Leistung	Anzeige im Display
1	100 %	P10
2	70 %	P7
3	50 %	P5
4	30 %	P3
5	10 %	P1

3. Auftaufunktion

Wählen Sie den Nahrungsmitteltyp und das Gewicht, dies wird Ihnen automatisch helfen, das richtige Leistungs-Level und die richtige Zeit einzustellen.

- a. Drücken Sie „WT DEFROST“ um die Auftaufunktion auszuwählen.
- b. Geben Sie das Gewicht an, indem Sie den Knopf „1min“ für jeweils 1 kg und den Knopf „10 sec“ für jeweils 100 g drücken.

c. Drücken Sie die Taste „Start/Reset “

Das Gewicht des Fleisches sollte maximal 2 kg betragen.

4. Grill

Diese Funktion hat vier Auswahlmöglichkeiten, Sie können „Grill/Combi “drücken, um folgende Funktionen zu erhalten (wobei die längste Kochzeit 60 Minuten beträgt)

Auswahlmöglichkeit 1: 85 % Grillleistung, Display G-1

Auswahlmöglichkeit 2: 50 % Grillleistung, Display G-2

Auswahlmöglichkeit 3: Kombiniertes Kochen 1 (55 % Mikrowelle + 45 % Grillleistung)
Display C-1

Auswahlmöglichkeit 4: Kombiniertes Kochen 2 (30 % Mikrowelle + 70 % Grillleistung)
Display C-2

Beispiel: Grillen von Nahrung für 20 Minuten

- a. Drücken Sie „Micro/Grill “bis das Display „G-1 “anzeigt.
- b. Stellen Sie die Kochzeit auf „20.00 “ein
- c. Drücken Sie auf „Start/Reset “

Wenn gegrillt wird, wird die Nahrung nicht durch die Mikrowelle erhitzt. Die Hitze wird durch den Grillstab des Ofens erzeugt.

Die Grillfunktion arbeitet in 2 Stufen. Nach der ersten Hälfte des Grillens, stoppt das Programm automatisch. Dies wird durch zwei Pieptöne angezeigt. Sie können den Ofen jetzt öffnen und die Nahrung drehen. Schließen Sie die Tür wieder und drücken Sie erneut „Start/Reset “. Die zweite Hälfte der Kochzeit beginnt. Falls Sie die Nahrung nicht drehen möchten, lassen Sie die Tür einfach geschlossen. Der Ofen startet nach einer Minute Pause automatisch mit der zweiten Kochzeit.

5. Kindersicherung

Um die Kindersicherung zu aktivieren, drücken Sie „10 Min “und „1 Min “zur selben Zeit für 2 Sekunden. Um die Kindersicherung wieder aufzuheben, drücken Sie erneut „10 Min “und „1 Min “

6. Start/Reset

Wenn Sie während des Zubereitungs Vorgangs „Start/Reset “drücken, schaltet das Gerät aus.

Sollten Sie ein Programm eingestellt haben, bevor Sie „Start/Reset “drücken, so wird dieses Programm gelöscht.

Reinigung und Pflege

Bevor Sie das Mikrowellengerät reinigen, ziehen Sie bitte den Netzstecker aus der Steckdose.

Gehäuse, Garraum, Türinnenseite

Der Garraum ist nach dem Benutzen heiß. Es besteht Verbrennungsgefahr! Reinigen Sie den Garraum, sobald er abgekühlt ist. Zu langes Warten erschwert die Reinigung unnötig und macht sie im Extremfall unmöglich. Starke Verschmutzungen können unter Umständen das Gerät beschädigen.

- Sie können das Gehäuse, den Garraum und die Türinnenseite mit einem milden Reinigungsmittel oder mit einem Spritzer Spülmittel im Wasser ab- bzw. auswischen. Dann mit einem weichen Tuch trocknen.
- Bei Verschmutzungen erhitzen Sie ein Glas Wasser 2 oder 3 Minuten lang im Garraum, bis es kocht. Der Dampf schlägt sich im Garraum nieder und weicht den Schmutz auf. Nun können Sie die Verunreinigungen, eventuell mit etwas Spülmittel, abwischen.
- Entfernen Sie die Abdeckung vor der Mikrowellenaustrittsöffnung im Garraum und die Folie auf der Türinnenseite nicht.
- Weder Wasser noch andere Gegenstände dürfen in die Lüftungsschlitze des Gerätes gelangen. Wischen Sie den Garraum nicht zu feucht aus, sonst gelangt Flüssigkeit durch die vorhandenen Öffnungen. Verwenden Sie keine Scheuermittel, weil dadurch das Material verkratzt wird.
- Gerüche im Garraum werden neutralisiert, wenn Sie eine Tasse Wasser mit etwas Zitronensaft ein paar Minuten im Gerät erhitzen.
- Halten Sie die Tür stets sauber und überprüfen Sie diese ständig im Hinblick auf Beschädigungen. Ein Gerät mit einer beschädigten Tür darf bis zur Instandsetzung durch einen vom Hersteller geschulten Kundendiensttechniker oder einen autorisierten Fachmann nicht benutzt werden.
- Zur Garraumreinigung können Sie den Drehteller herausnehmen und in der Spülmaschine oder mit einem Spritzer Spülmittel im Wasser einigen.
- Reinigen Sie den Laufring, der unter dem Drehteller liegt, sowie den darunterliegenden Garraumboden. Der Drehteller dreht sich sonst ruckartig.
- Reinigen Sie die Kontaktflächen zwischen Drehteller und Laufring. Drehen Sie das Drehkreuz nicht mit der Hand, dadurch kann der Antriebsmotor beschädigt werden.

Gerätefront

- Reinigen Sie alle Oberflächen nur mit einem Schwammtuch, Spülmittel und warmem Wasser.
- Trocknen Sie die Oberflächen anschließend mit einem weichen Tuch. Glasoberflächen sind empfindlich gegen Kratzer. Vermeiden Sie scheuernde Reinigungsmittel, wie z.B. Scheuerpulver, Scheuermilch sowie scheuernde Schwämme, wie z.B. Topfschwämme oder gebrauchte Schwämme, die noch Reste von Scheuermitteln enthalten oder Backofenspray.
- Edelstahlflächen und Bedienelemente sind empfindlich gegen Kratzer und Schnitte.
- Die Bedienelemente können sich verfärben oder verändern, wenn Verschmutzungen länger einwirken. Entfernen Sie Verschmutzungen daher sofort.
- Vermeiden Sie
 - soda-, säure- oder chloridhaltige Reinigungsmittel,

- scheuernde Reinigungsmittel, wie z.B. Scheuerpulver, Scheuermittel,
- Edelstahl-Reinigungsmittel,
- Entkalkungsmittel
- Backofenspray.

Rost

Den Rost nach jedem Gebrauch spülen, er ist spülmaschinengeeignet. Entfernen Sie nicht abwaschbare Verschmutzungen mit einem Edelstahlreiniger,

Glasplatte

Reinigen Sie Glasplatte mit heißem Wasser, Spültuch und fettlösendem Spülmittel. Sie ist ebenfalls spülmaschinengeeignet.

Verwenden Sie keinesfalls Metallschwämme, scheuernde Mittel oder aggressive Reiniger.

Nach der Zubereitung von geruchsintensiven Speisen können Sie eine mikrowellenfeste Schüssel mit Wasser und Zitronensaft bei maximaler Mikrowellenleistung für 2-3 Minuten im Mirowellengerät erhitzen und anschließend mit frischem Wasser nachspülen.

ضمانت‌نامه Guarantee

مشتری گرامی؛

- با تبریک به شما به دلیل حسن انتخابتان، به آگاهی می‌رساند که این محصول دارای ۲ سال ضمانت و ۱۰ سال خدمات و پشتیبانی شرکت توسعه بازرگانی آسیا - کیش از تاریخ خرید است؛ برای اطلاع از شرایط، به موارد زیر توجه فرمایید:
- لطفاً به هنگام خرید، دستگاه را به لحاظ ظاهری سالم تحویل بگیرید؛ شکستگی و عیب ظاهری مشمول ضمانت‌نامه نمی‌شود.
- به هشدارهای برقی و ایمنی توجه نمایید؛ اشکالات ناشی از نوسان برق یا اتصالات نامصحیح، مشمول ضمانت‌نامه نمی‌شود.
- ضمانت‌نامه بدون تاریخ و مهر فروشگاه یا دارای خط‌خوردگی فاقد اعتبار خواهد بود.
- در طول مدت ضمانت، قطعات یدکی و تعویض آنها رایگان است؛ قطعات مصرفی و مستهلک‌شونده مشمول ضمانت‌نامه نمی‌شوند.
- اگر دستگاه شما دچار نقص فنی گردید، آن را با جعبه، ضمانت‌نامه، و برگه خرید و اشتراک، به یکی از تعمیرگاه‌های مجاز ارایه دهید.
- برای استفاده بهینه از دستگاه، پیش از شروع به کار با دستگاه، راهنمای فارسی را کامل و با دقت مطالعه نمایید.

Feller

DeLonghi
Living Innovation

CLATRONIC®

دفتر مرکزی خدمات پس از فروش:

نشانی: تهران، خیابان شریعتی، پایین‌تر از حسینیه ارشاد، خیابان کوشا، کوچه بدیعی، کوچه بشردوست، شماره ۱۲ | تلفن: ۲۲۹۱۳۲۵۳ (۰۲۱) | دورنگار: ۲۲۹۱۳۲۵۷ (۰۲۱)
واحد امور مشترکین دلونگی: ۲۲۹۱۳۲۷۰ (۰۲۱)
مراکز تعمیرات دلونگی (در تهران):
شعبه شریعتی: ۲۲۲۲۳۳۰۹ (۰۲۱)
شعبه شرق: ۷۷۲۰۹۲۹۲ (۰۲۱)
شعبه غرب: ۴۴۲۳۴۰۸۹ (۰۲۱)



امضا و مهر فروشگاه:

شماره برگه خرید:

تاریخ خرید:

مدل دستگاه:

حالت ۴: پخت ترکیبی (II) (۳۰ درصد مایکروویو + ۷۰ درصد گریل)، علامت "C-2" نشان داده می‌شود. در عملکرد گریل (گریل ترکیبی ویژه)، فرایند پخت به طور خودکار متوقف می‌شود و دو علامت صوتی "بیب" شنیده می‌شود که لزوم برگرداندن غذا را در نیمه زمان پخت یادآوری می‌کند. پس از برگرداندن غذا، در اجاق را ببندید، سپس دکمه آغاز/تنظیم دوباره را بزنید، عمل پخت ادامه خواهد یافت. اگر نمی‌خواهید غذا را برگردانید، دستگاه پس از وقفه‌ای ۱ دقیقه‌ای، به فرایند پخت ادامه می‌دهد.

۵- آغاز/تنظیم دوباره

(۱) در حالت بازبودن در.

دکمه آغاز/تنظیم دوباره را بزنید تا تنظیمات و برنامه پخت لغو گردد.

(۲) در حالت بسته‌بودن در

دکمه "آغاز/تنظیم دوباره" را پس از تنظیم برنامه پخت، بزنید تا عمل پخت آغاز شود.

دکمه "آغاز/تنظیم دوباره" را بزنید تا عمل پخت هنگامی که در حالت "مکث" است، ادامه یابد.

دکمه "آغاز/تنظیم دوباره" را بزنید تا عملکرد دستگاه، هنگامی که مایکروویو فعال است، متوقف گردد.

۶- قفل ایمنی کودک

برای فعال کردن قفل ایمنی کودک، دکمه "۱ دقیقه" و "۱۰ ثانیه" را هم‌زمان به مدت ۲ ثانیه فشار دهید و نگه دارید، دستگاه قفل می‌شود.

دکمه "۱ دقیقه" و "۱۰ ثانیه" را دوباره، هم‌زمان به مدت ۲ ثانیه فشار دهید و نگه دارید؛ این کار قفل ایمنی را باز می‌کند.

نگهداری از مایکروویو

۱- پیش از تمیزکاری، دستگاه را خاموش کنید و دوشاخه را از پریز بکشید.

۲- داخل آن را تمیز نگه دارید. اگر باقی‌مانده غذا یا پاشیدگی مایعات به جداره داخلی آون چسبیده است، با پارچه‌ای نرم دار آن را بزدایید. از مواد پاک‌کننده قوی یا خورنده (سایا) استفاده نکنید.

۳- جداره بیرونی آون را با پارچه‌ای نرم‌دار تمیز کنید. برای پیشگیری از آسیب دیدن قسمت‌های فعال داخلی آون، آب نباید به درون شیارهای تهویه نشت کند.

۴- از خیس کردن صفحه کنترل پرهیز کنید. برای تمیزکاری آن از پارچه‌ای نرم و نرم‌دار استفاده کنید و از پاک‌کننده‌های سایا و افشانه‌های استفاده نکنید.

۵- اگر جداره داخلی شیشه در دستگاه یا اطراف آن از بیرون، بخار گرفت، با دستمالی نرم بخار را پاک کنید. این پدیده به سبب عملکرد دستگاه در محیط‌هایی با رطوبت زیاد است و به هیچ وجه نشان‌دهنده نقص یا خرابی دستگاه نیست.

۶- در آوردن سینی شیشه‌ای و تمیزکاری آن ضروری است. سینی را با آب ولرم و کف‌صابون یا در ماشین ظرف‌شویی بشویید.

۷- حلقه غلتکی و کف حفره اجاق را می‌باید به‌طور منظم تمیز کرد تا از سروصدای اضافی در هنگام کار جلوگیری شود. سطح زیرین دستگاه را با پاک‌کننده‌های ضعیف، آب یا شیشه‌پاک‌کن تمیز و خشک کنید. حلقه غلتکی را می‌توان با آب ولرم و کف صابون یا در ماشین ظرف‌شویی شست، پس از چندین بار استفاده مقداری بخار در دستگاه جمع می‌شود اما این بخار به هیچ وجه بر سطح زیرین دستگاه یا چرخ‌های حلقه غلتکی اثر نمی‌گذارد. هنگامی که حلقه را از کف حفره اجاق بیرون می‌آورید، پس از تمیزکاری آن را در جای درست‌اش قرار دهید.

۸- بوهای ناخوشایند را با ترکیب یک فنجان آب و پوسته و عصاره یک عدد لیمو در کاسه‌ای که بتوان آن را در مایکروویو گذاشت، برطرف کنید. به مدت زمان ۵ دقیقه دستگاه را بر روی عملکرد مایکروویو به کار اندازید، به دقت آن را تمیز کنید و با پارچه‌ای نرم‌دار خشک کنید.

۹- اگر می‌خواهید لامپ درون محفظه مایکروویو را عوض کنید با فروشنده تماس بگیرید تا آن را برای‌تان عوض کند.

راهنمای عملکرد

۱- پخت آسان

می‌توانید با فشردن دکمه "آغاز/تنظیم دوباره" عمل پخت را به مدت زمان ۱ دقیقه و با توان مایکروویو ۱۰۰ درصد آغاز نمایید. با هر بار فشردن دکمه، ۱ دقیقه به زمان پخت اضافه می‌شود. حداکثر زمان، ۳۰ دقیقه است. پس از پایان فرایند پخت، پنج صدای "بیب" از دستگاه شنیده خواهد شد.

۲- پخت با مایکروویو

۱- شیوه پخت سریع

مثال: برای پخت غذا با توان ۱۰۰ درصد، به مدت زمان ۵ دقیقه.

الف) زمان را بر روی "5:00" تنظیم کنید.

ب) دکمه "آغاز/تنظیم دوباره" را بزنید.

۲- کنترل با دست

مثال: برای پخت غذا با توان ۷۰ درصد، به مدت زمان ۱۰ دقیقه.

الف) دکمه "مایکرو" را بزنید و توان "۷۰" درصد را انتخاب کنید.

ب) دکمه زمان "10:00" را برای تنظیم مدت زمان پخت بزنید.

ج) دکمه "آغاز/تنظیم دوباره" را بزنید.

برای انتخاب توان می‌توانید دکمه "مایکرو" را بزنید.

در جدول زیر ۵ گزینه توان نشان داده شده است، طولانی‌ترین زمان پخت با مایکروویو، ۶۰ دقیقه است.

توان مایکروویو	علامت	گام
٪۱۰۰	P10	۱
٪۷۰	P7	۲
٪۵۰	P5	۳
٪۳۰	P3	۴
٪۱۰	P1	۵

۳- عملکرد یخ‌زدایی خودکار

بر اساس وزن غذا، دکمه "۱ دقیقه" (۱ کیلوگرم) و "۱۰ ثانیه" (۰/۱ کیلوگرم) را فشار دهید. دستگاه برنامه "یخ‌زدایی" را انتخاب می‌کند و عملکرد یخ‌زدایی به طور خودکار آغاز می‌شود.

مثال: یخ‌زدایی ۰/۴ کیلوگرم ماده غذایی منجمد

۱) دکمه "وزن/یخ‌زدایی" را بزنید تا عملکرد یخ‌زدایی انتخاب شود و علامت "۱"/۰ نشان داده شود.

۲) با فشار دادن دکمه "۱ دقیقه" و دکمه "۱۰ ثانیه" وزن ۰/۴ کیلوگرم را تنظیم کنید.

۳) دکمه "آغاز/تنظیم دوباره" را بزنید.

یادآوری: حداکثر وزن، ۲ کیلوگرم است.

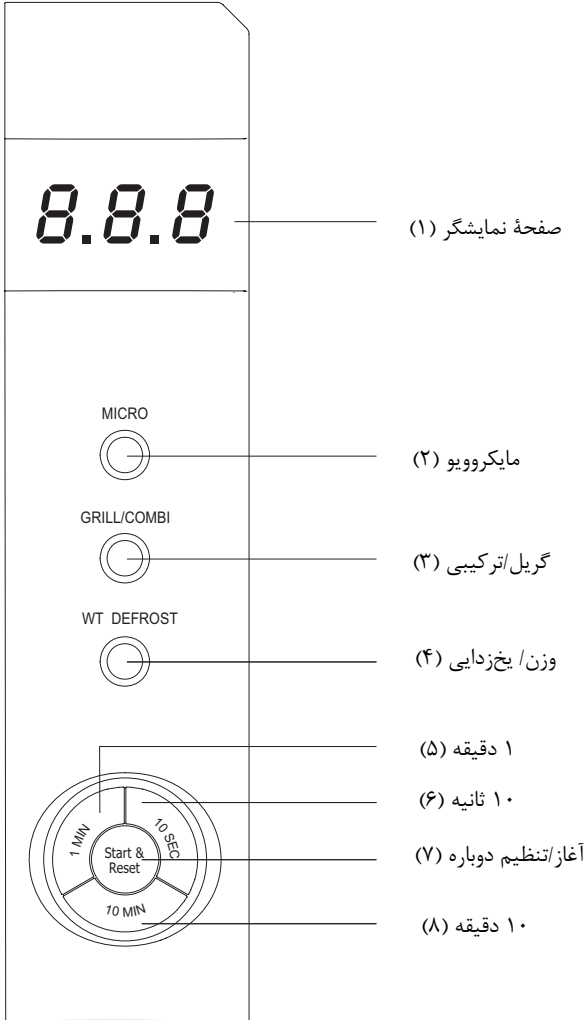
۴- عملکرد پخت گریل/ترکیبی

این عملکرد ۴ حالت دارد، می‌توانید با فشردن دکمه "گریل/ترکیب" حالت دلخواه را انتخاب نمایید.

حالت ۱: ۸۵ درصد توان گریل، علامت "G-1" نشان داده می‌شود.

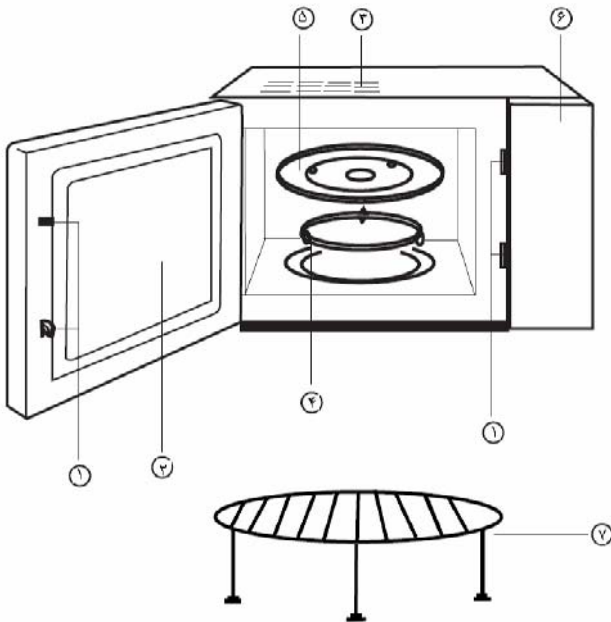
حالت ۲: ۸۵ درصد توان گریل، علامت "G-2" نشان داده می‌شود.

حالت ۳: پخت ترکیبی (I) (۵۵ درصد مایکروویو + ۴۵ درصد گریل)، علامت "C-2" نشان داده می‌شود.



توصیف اجزا

- ۱) سیستم قفل ایمنی در
- ۲) پنجره اجاق
- ۳) هواکش اجاق
- ۴) حلقه غلتکی
- ۵) سینی شیشه‌ای
- ۶) صفحه کنترل
- ۷) پایه سیمی گریل



از فرو بردن اشیا در شیارهای روی بدنه دستگاه بهره‌ییزید.

۱-هیچ‌گاه قسمت‌های مختلف دستگاه مانند پایه‌ها، پیچ‌ها و بست‌ها را جدا نکنید.

۲-هیچ‌گاه مستقیماً غذا را برای پخت بر روی صفحه‌گردان شیشه‌ای قرار ندهید؛ پیش از گذاشتن غذا در آن، آن را در ظرف مناسبی قرار دهید.

۳-مهم: وسایل پخت‌وپزی که نباید در اجاق مایکروویو استفاده شوند.

- از بشقاب‌ها و تابه‌هایی با دستگیره فلزی استفاده نکنید.

- از اشیایی که آرایه‌های فلزی دارند، استفاده نکنید.

- از کیسه‌های پلاستیکی که مفتول مسی دارند، استفاده نکنید.

- از بشقاب‌های ملامین استفاده نکنید؛ زیرا ماده‌ای در آنهاست که سبب جذب انرژی مایکروویو می‌شود و باعث ترک‌بردشتن و سیاه‌شدن بشقاب و کندشدن روند پخت می‌شود.

- از لوازم سفره (قاشق، چنگال، ...) "سننورا" استفاده نکنید. استفاده از ظروف لعابی در اجاق مایکروویو توصیه نمی‌شود. از فنجان‌های دسته‌دار "گورلی" نیز نباید استفاده کرد.

- مواد غذایی را در ظرف‌هایی با دهانه تنگ مانند بطری نوشابه یا بطری روغن سالاد گرم نکنید؛ زیرا ممکن است بترکد.

- از دماسنج‌های رایج آب‌نباتی استفاده نکنید؛ دماسنج‌های ویژه مایکروویو را به کار ببرید.

۴- لوازم مایکروویو را تنها بر اساس دستورالعمل‌های سازنده به کار ببرید.

۵- از مایکروویو برای سرخ‌کردن استفاده نکنید.

۶- لطفاً به یاد داشته باشید که مایکروویو تنها مایع درون ظرف را داغ می‌کند نه خود ظرف را، بنابراین هر چند که درپوش ظرف در هنگام بیرون آوردن از اجاق داغ نیست؛ به خاطر داشته باشید که غذا/مایع درون اجاق، مانند روش پخت سنتی پس از برداشتن درپوش، مقداری بخار بیرون می‌دهد.

۷- همیشه دمای غذای پخته شده را امتحان کنید. به ویژه هنگامی که غذا/مایعات را برای استفاده کودکان آماده می‌کنید. توصیه می‌کنیم که غذا/مایعات را بلافاصله پس از بیرون آوردن از اجاق، مصرف نکنید. صبر کنید تا خنک شوند؛ ظرف را تکان دهید تا دمای مواد یکنواخت (همسان) شود.

۸- غذاهایی که دارای ترکیبات آب و روغن هستند مانند خمیرمایه‌ها، می‌باید به مدت ۳۰ تا ۶۰ ثانیه پس از خاموش شدن آن، در آن بمانند. این کار باعث می‌شود که ترکیب ته‌نشین شود و از جوشیدن غذا/مایعات، هنگامی که مواد غذایی به آن اضافه می‌شود، پیش‌گیری می‌کند.

۹- هنگام آماده‌کردن/پختن غذا/مایعات، به خاطر داشته باشید که دمای برخی از مواد غذایی مانند کیک، مربا و گوشت چرخ‌کرده، به سرعت افزایش می‌یابد. هنگام پختن یا گرم‌کردن غذاهای حاوی چربی یا قند فراوان، از ظروف پلاستیکی استفاده نکنید.

۱۰- لوازم ویژه پخت، ممکن است بر اثر حرارت مواد غذایی، داغ شوند. بنابراین پوشاندن در و دستگیره ظروف با پوشش پلاستیکی ضروری است. برای جابه‌جا کردن ظروف از دستکش استفاده کنید.

۱۱- برای کاستن از خطر آتش‌سوزی در محفظه اجاق:

الف) غذا را بیش از اندازه نپزید. هنگامی که کاغذ، پلاستیک یا مواد سوختنی دیگر را در مایکروویو می‌گذارید، برای آسان‌شدن عمل پخت، کاملاً مراقب باشید.

ب) پیش از قراردادن کیسه‌ها در اجاق، روبان‌های سیمی آنها را جدا کنید.

ج) اگر احتمال آتش‌گرفتنی مواد درون اجاق هست، در اجاق را بسته نگه دارید، دستگاه را با کشیدن دوشاخه آن از پریز برق خاموش کنید یا برق را از کنتور یا صفحه مدارشکن، قطع کنید.

دستورالعمل‌های مهم ایمنی:

هشدار:

- هنگامی که دستگاه بر روی عملکرد ترکیبی کار می‌کند، به دلیل حرارت تولید شده، کودکان تنها با نظارت شما می‌توانند از دستگاه استفاده کنند (تنها در مدل‌هایی که دارای عملکرد گرید هستند).
- اگر در دستگاه یا درزگیر آن آسیب دیده بود، تنها پس از تعمیر دستگاه به وسیله تعمیرکاری ماهر از آن استفاده کنید.
- هرگونه تعمیر یا کارهای خدماتی که مستلزم برداشتن پوشش دستگاه است؛ به دست افرادی به جز افراد بدون صلاحیت خطرناک است. این پوشش مانع از هدررفتن انرژی مایکروویو دستگاه می‌شود.
- مایعات و غذاهای دیگر را نباید در ظرف‌های دربسته گرم کرد؛ ممکن است بترکند.
- تنها هنگامی به کودکان اجازه دهید بدون نظارت شما از دستگاه استفاده کنند که دستورالعمل‌های لازم را به آنان آموخته باشید. به گونه‌ای که بتوانند به شیوه‌ای ایمن از دستگاه استفاده کنند و خطرهای استفاده نادرست را فهمیده باشند.
- هوای کافی می‌باید در اطراف آن در جریان باشد. ۱۰ سانتی‌متر فضای باز در پشت دستگاه، ۱۵ سانتی‌متر در کناره‌های آن و ۳۰ سانتی‌متر در بالای دستگاه در نظر بگیرید. پایه‌های آن را جدا نکنید، مجراهای هوای آن را مسدود نکنید.
- تنها از ادواتی استفاده کنید که برای مایکروویو در نظر گرفته شده است.
- هنگامی که غذایی را در ظرفی پلاستیکی یا کاغذی گرم می‌کنید، مراقب دستگاه باشید؛ چون امکان آتش گرفتن ظرف وجود دارد.
- هنگام مشاهده دود، دستگاه را خاموش کنید یا دوشاخه را از برق بکشید و در دستگاه را بسته نگه دارید تا شعله‌ها فرو نشینند.
- گرم کردن نوشیدنی‌ها در مایکروویو منجر به پاشیدن محتویات داغ ظرف می‌شود. بنابراین، هنگام جابه‌جایی ظرف‌ها مراقب باشید.
- محتویات شیشه شیر بچه یا ظرف‌های مخصوص این کار را باید هم بزنیید و دمای مواد را پیش از خواراندن به بچه بررسی کنید تا از سوختگی پیش‌گیری شود.
- تخم‌مرغ‌های خام و تخم‌مرغ‌های درسته آب‌پز شده را در اجاق مایکروویو گرم نکنید. ممکن است حتی پس از پایان زمان گرم کردن، بترکند.
- هنگام تمیزکاری سطوح در و درزگیرهای آن و حفره اجاق، تنها از پاک‌کننده‌های معمولی و غیرسایا استفاده کنید و آنها را با پارچه یا اسفنجی نرم به کار ببرید.
- اجاق را می‌باید به طور منظم تمیز کنید و رسوبات آن را بزدایید.
- کوتاهی در تمیزنگه‌داشتن اجاق، منجر به افت کیفیت سطوح دستگاه می‌شود و از عمر مفید دستگاه می‌کاهد و خطرناک است.
- اگر سیم برق دستگاه آسیب دیده بود، برای پیش‌گیری از خطر، از سازنده یا کارکنان مرکز خدمات یا تعمیرکار ماهری بخواهید تا آن را برای‌تان عوض کنند.

نکات ایمنی برای استفاده عمومی از دستگاه

- مانند هر وسیله دیگر، در زیر اصول و قواعدی بنیادین و نکات ایمنی‌ای آمده تا به صورت بهینه از دستگاه استفاده شود.
- ۱- هنگام کار با دستگاه، همیشه سینی شیشه‌ای، زردنه، کویلینگ و دست‌کش مخصوص دم‌دست داشته باشید.
 - ۲- از دستگاه تنها برای آماده‌کردن غذا استفاده کنید و از خشک‌کردن لباس، کاغذ یا هرگونه مواد غیرخوراکی و استریلیزه‌کردن یا دستگاه پرهیز کنید.
 - ۳- اجاق خالی را روشن نکنید، این کار به دستگاه آسیب می‌رساند.
 - ۴- از محافظه آن به جای انباری استفاده نکنید (برای نگهداری کاغذ و کتاب آشپزی و ...).
 - ۵- هنگام بخت غذاهای دارای غشا و پوسته، مانند زرده تخم‌مرغ، سیب‌زمینی، جگر مرغ، و ... ابتدا با چنگال چندین بار آنها را سوراخ کنید.

نصب

- ۲- از جداکردن مواد بسته‌بندی رویه داخلی در دستگاه مطمئن شوید.
 - ۳- پس از بازکردن بسته‌بندی دستگاه، عیب و نقص‌های ظاهری زیر را در آن بررسی کنید:
 - تراز نبودن در
 - آسیب‌دیدگی در
 - فرورفتگی یا سوراخ در شیشه در و صفحه کنترل
 - سوراخ در دیواره داخلی اجاق
- در صورت مشاهده هر یک از موارد بالا، از دستگاه استفاده نکنید.
- ۴- وزن اجاق میکروویو ۱۸/۵ کیلوگرم است و می‌باید آن را بر روی سطح صاف و پایدار گذاشت که تحمل این وزن را داشته باشد.
 - ۵- اجاق را باید از منابع گرمایشی و بخار دور نگه داشت.
 - ۶- از قراردادن اشیاء بر روی اجاق بپرهیزید.
 - ۷- از درآوردن محور صفحه‌گردان دستگاه بپرهیزید.
 - ۸- مانند هر دستگاه برقی دیگر، بر کار کودکان با دستگاه، نظارت کنید.

هشدار: این دستگاه را باید به زمین متصل کرد.

- ۱- پریز برق می‌باید در نزدیکی دوشاخه سیم دستگاه باشد.
 - ۲- این اجاق نیاز به ۱/۵ (KVA) توان ورودی دارد. هنگام نصب دستگاه با متخصص نصب، مشورت کنید.
- هشدار:** برای محافظت از دستگاه در داخل آن فیوزی ۲۵۰ ولتی - ۱۰ آمپری، کار گذاشته شده است.

مهم

سیم‌های درون کابل اصل رنگی هستند و آنها را باید به روش زیر وصل کرد:

سیم سبز و زرد	زمین
سیم آبی	خنثی
سیم قهوه‌ای	برق‌دار

اگر رنگ سیم‌های داخل کابل اصلی دستگاه به نشان‌های رنگی مشخص‌کننده پایانه‌ها نمی‌خورد، به روش زیر عمل کنید:

- سیم سبز و زرد را به پایانه مشخص شده با حروف E یا نشانه زمین \perp با رنگ سبز یا سبز و زرد متصل کنید.
- سیم آبی رنگ را به پایانه حرف N یا سیاه بزنید.
- سیم قهوه‌ای رنگ را به پایانه حرف L یا قرمز بزنید.

مشخصات

توان مصرفی:	۲۳۰ ولت- ۵۰ هرتز / ۱۴۵۰ وات
خروجی:	۹۰۰ وات
بخاری گریل:	۱۲۰۰ وات
فرکانس عملکرد:	۲۴۵۰ مگاهرتز
ابعاد بیرونی (طول، عرض، ارتفاع):	۵۱۰×۲۸۲×۲۰۳ میلی‌متر
ابعاد درونی اجاق (طول، عرض، ارتفاع):	۳۳۰×۲۳۰×۲۳۰ میلی‌متر
گنجایش اجاق:	۲۵ لیتر
وزن تقریبی:	۱۷/۵ کیلوگرم

پیش از آن که با تعمیرکار تماس بگیرید:

- ۱- اگر اجاق اصلاً کار نمی‌کند، نمایشگر خاموش است یا در هنگام کار، خاموش می‌شود:
الف) از اتصال کامل دوشاخه دستگاه به پریز برق مطمئن شوید. اگر درست وصل نشده است: دوشاخه را بکشید و ۱۰ ثانیه صبر کنید و دوباره دوشاخه را به برق بزنید.
ب) فیوز برق ساختمان یا مدارشکن اصلی را بررسی کنید. اگر این موارد عیب و نقصی ندارند، برای اطمینان پریز برق را با دستگاه دیگری امتحان کنید.
- ۲- اگر دکمه روشن/خاموش اجاق کار نمی‌کند:
الف) ببینید که تایمر تنظیم شده است یا خیر.
ب) از بسته شدن کامل در دستگاه و جفت شدن زبانه‌های ایمنی در مطمئن شوید.
در غیر این صورت، انرژی مایکروویو در اجاق جریان پیدا نمی‌کند.
اگر هیچ کدام از موارد بالا مشکل را برطرف نکردند، با مرکز مجاز خدمات پس از فروش تماس بگیرید.
نکته: این دستگاه برای گرم کردن غذاها و نوشیدنی‌ها در منزل با انرژی الکترومغناطیسی طراحی شده است و تنها باید در محیط‌های بسته از آن استفاده کرد.

تداخل امواج رادیویی:

- مایکروویو شما ممکن است سبب مختل شدن عملکرد رادیو، تلویزیون یا وسایل مشابه آنها شود. در این حالت، تداخل امواج را می‌توان به روش‌های زیر برطرف کرد یا کاهش داد:
- الف) در دستگاه و سطح درزگیر آن را تمیز کنید.
- ب) رادیو و تلویزیون و ... را تا حد امکان از مایکروویو دور نگه دارید.
- ج) از آنتن‌های مناسب برای رادیو، تلویزیون و ... استفاده کنید تا توان دریافت امواج آنها افزایش یابد.

دستورالعمل‌های مهم ایمنی

این دستورالعمل‌ها را به دقت بخوانید و برای مراجعات بعدی نگه دارید.

هشدار

- هنگامی که دستگاه در حالت ترکیبی کار می‌کند، به دلیل گرمای تولیدشده توسط دستگاه، کودکان تنها با نظارت شما می‌باید با دستگاه کار کنند.
- اگر در دستگاه یا واشر آن آسیب دیده بود؛ از آن استفاده نکنید و برای تعمیر به فرد ماهری تحویل دهید.
- هرگونه تعمیر یا کارهای خدماتی که مستلزم برداشتن پوشش دستگاه است، به دست افراد بدون صلاحیت، خطرناک است. این پوشش مانع از هدررفتن انرژی میکروویو می‌شود.
- مایعات و غذاهای دیگر را نباید در ظرف‌های درسته گرم کرد؛ ممکن است بترکند.
- تنها هنگامی به کودکان اجازه دهید بدون نظارت شما از دستگاه استفاده کنند که دستورالعمل‌های لازم را به آنان آموخته باشید؛ به گونه‌ای که بتوانند به شیوه‌ای ایمن از دستگاه استفاده کنند و خطرهای استفاده نادرست را فهمیده باشند.
- هنگام کار با دستگاه، تنها از ادواتی استفاده کنید که برای میکروویو در نظر گرفته شده‌اند.
- هنگامی که غذایی را در ظرفی پلاستیکی یا کاغذی گرم می‌کنید، مراقب دستگاه باشید؛ چون امکان آتش گرفتن ظرف وجود دارد.
- هنگام مشاهده دود، دستگاه را خاموش کنید یا دوشاخه را از برق بکشید و در دستگاه را بسته نگه دارید تا شعله‌ها فرو نشینند.
- گرم کردن نوشیدنی‌ها در میکروویو منجر به پاشیدن محتویات داغ ظرف می‌شود. بنابراین، هنگام جابه‌جایی ظرف‌ها مراقب باشید.
- محتویات شیشه شیر بچه یا ظرف‌های مخصوص این کار را باید هم بزنید و دمای مواد را پیش از خوردن به بچه بررسی کنید تا از سوختگی پیشگیری شود.
- تخم‌مرغ نپخته و تخم‌مرغ‌های درسته آب‌پز شده را در اجاق میکروویو گرم نکنید، ممکن است حتی پس از پایان زمان گرم کردن بترکند.
- اجاق را می‌باید به طور منظم تمیز کنید و رسوبات آن را بزدابید.
- کوتاهی در تمیزنگه‌داشتن اجاق، منجر به افت کیفیت سطوح دستگاه می‌شود و از عمر مفید دستگاه می‌کاهد و خطرناک است.
- اگر سیم برق دستگاه آسیب دیده بود، برای پیشگیری از خطر، از سازنده، کارکنان مرکز خدمات یا تعمیرکاری ماهر بخواهید تا آن را برای تان عوض کند.
- هنگام کار با دستگاه، سطوحی که در دسترس‌اند، داغ می‌شوند.

Feller®

دفترچه راهنمای
مایکروویو



MW 2550 FS

Microwave Oven