

Germany
Feller



EO 261 SBK

**Electric
Oven**

When using electrical appliance, basic safety precautions should always be followed including the following:



IMPORTANT SAFEGUARDS

Congratulations with the purchase of this grill-oven, which you can use to toast, bake, grill and roast the most delicious dishes. The oven has a variable thermostat, convection function and top and bottom heating elements to equally heat the top and bottom of the 26 litre oven.

SAFETY INSTRUCTIONS

General information



- Please read these instructions carefully and retain them for reference.
- Use this appliance solely in accordance with these instructions.
- Without supervision this appliance may not be used by children or persons who have a physical or mental restriction and therefore are not able to use the appliance safely.
- Have any repairs carried out solely by a qualified electrician. Never try to repair the appliance yourself.

Electricity and heat

- Before use, verify that the mains voltage is the same as that indicated on the type plate on the appliance.



- Plug the appliance only into an earthed wall socket.
- Always remove the plug from the socket when the appliance is not in use.
- Always remove the plug from the wall socket by pulling on the plug, not the power cord.
- Check the appliance's power cord regularly to make sure it is not damaged. Do not use the appliance if the power cord is damaged. Have a damaged power cord replaced by a qualified service department.
- When using an extension lead always make sure that the entire cable is unwound from the reel.
- Use solely approved extension leads.
- Certain parts of the appliance can get hot. Do not touch them, as you may burn yourself.

- The appliance needs space to allow heat to escape, thereby preventing the risk of fire. Make sure that the appliance has sufficient space around it, and does not come in contact with flammable material. The appliance must not be covered.
- Never use the appliance in the vicinity of flammable materials.
- Make sure that the appliance, the power cord and the plug do not come in contact with sources of heat, such as a hot hob or naked flame.
- Make sure that the appliance, the power cord and plug do not come in contact with water.

DURING USE

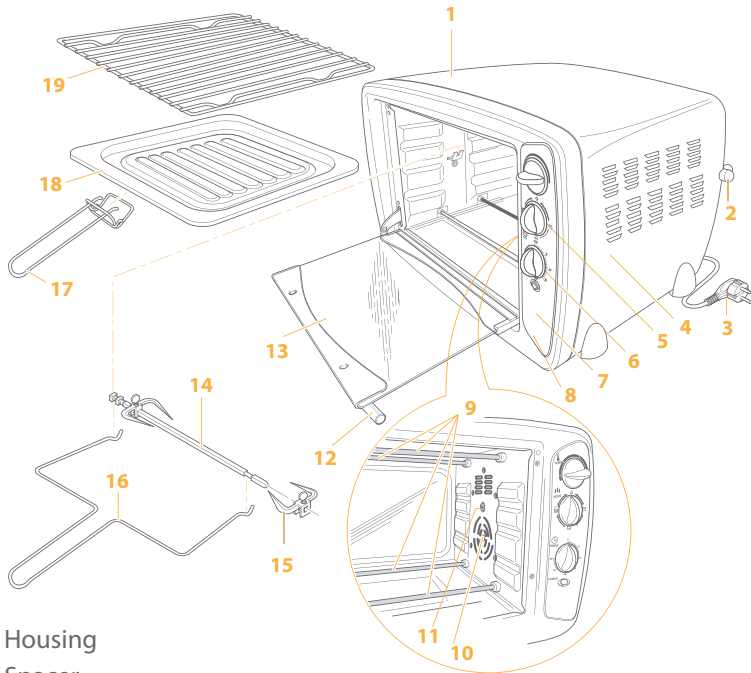
- Never use the appliance outdoors.
- Never use the appliance in a humid room.
- Place the appliance on a flat, stable surface.
- Make sure that your hands are dry before touching the appliance, power cord or plug.
- Switch off the appliance and remove the plug from the wall socket in the event of a malfunction during use, and before cleaning the appliance, fitting or removing an accessory, or storing the appliance after use.
- Never leave the appliance unsupervised whilst it is in use.
- Never move the appliance whilst it is switched on or is still hot. Switch off the appliance, and wait until it has cooled down before you move it.
- Make sure there is sufficient free space around the appliance (at least 10cm), as well as above the appliance (at least 30cm).
- The oven's glass door becomes hot during use. Therefore, always use the handle to open and close the door.
- Use the removal tool to remove the baking tray, the grille or the roasting spit from the hot oven.
- Do not place the following items on top of the appliance: cardboard, plastic, paper, candles or flammable objects.
- Do not place heavy objects on the oven door when it is open.
- Carefully remove the baking tray when it contains hot juices or fat.
- Avoid water coming into contact with the oven door during or shortly after use. This may cause the glass to break.
- Do not place the appliance near a gas ring or another heat source, nor immediately next to an electrical fan. They may have a negative effect on the appliance's temperature control.
- Do not pick up the appliance if it falls into water. Remove the plug from the wall socket immediately and do not use the appliance any more.

- Clean the appliance thoroughly after use (see “Cleaning and maintenance”).
- Never immerse the appliance, the power cord or the plug in water or any other fluid.

OPERATION

General information

The grill-oven is only intended for domestic use, not for professional use.



- | | |
|---|------------------------------------|
| 1. Housing | 11. Roasting spit drive sleeve |
| 2. Spacer | 12. Door handle |
| 3. Power cord and plug | 13. Door |
| 4. Ventilation slots | 14. Roasting spit |
| 5. 'TEMPERATURE' knob (temperature) | 15. Roasting spit clamp |
| 6. 'SELECTOR' knob
(top and/or bottom heating element) | 16. Roasting spit removal tool |
| 7. 'TIMER' knob | 17. Baking tray/grill removal tool |
| 8. On/Off indicator light | 18. Baking tray |
| 9. Heating elements | 19. Grille |
| 10. Convection ventilator | |

Before using for the first time

1. Remove the packaging.
2. Clean all the accessories to remove any residue that may be left from the manufacturing process (see «Cleaning and maintenance»). Dry them thoroughly.
3. Turn on the top and bottom heating elements for 15 minutes at the highest temperature with the door open. This will remove any packaging odour from the appliance.

Note: The appliance may emit a little smoke and a characteristic smell when you switch it on for the first time. This is normal, and will soon stop. Make sure the appliance has sufficient ventilation.






Preheating


It is not necessary to preheat the oven. In certain cases, however, you may achieve a better result if the oven is preheated, for example, for meat that must be cooked medium rare or when baking a cake

Convection function

The fan in the back of the oven blows hot air into the oven. This is used to heat the dishes. You can use several levels at the same time, thus saving energy. Because of the intensive heat you can select a temperature of 20 °C lower than indicated in the conventional recipe. The hot air system is highly suitable for baking cakes, cookies and apple tarts. You can bake on multiple levels simultaneously if desired, in which case the tins should be aligned directly under one another. Baking sheets with cookies should be positioned on the second and third levels.

Position Control Switch	Settings
OFF	OFF
	Top heat
	Bottom heat
	Top and bottom heat

Baking

1. Open the oven door.
2. Place the baking tray with the food at the desired height in the grooves in the oven.
3. Close the oven door.
4. Use the TEMPERATURE knob to set the required temperature.
5. Rotate the SELECTOR knob to the  setting.
6. Use the TIMER knob to set the baking time. The amount of time required depends on the type and quantity of food. The On/Off indicator will be lit.
7. Bake the food until it is cooked. The oven will turn itself off automatically and a sound signal will be heard once the baking time has elapsed. The On/Off indicator light will go out.



Note: If the food is ready but the baking time has not yet elapsed, you can turn off the oven by rotating the SELECTOR knob to "OFF". The timer will continue, but the oven will no longer be heated.

8. Wear oven gloves.
9. Open the oven door. Take care! The door is hot.

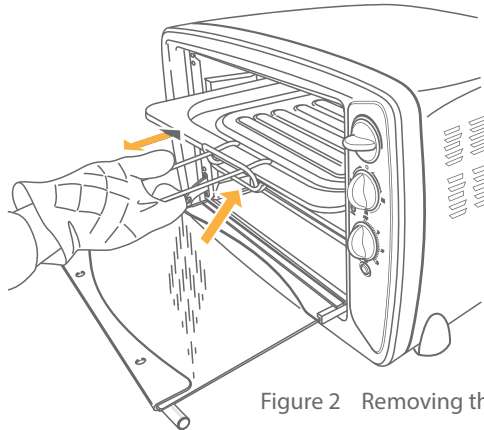



Figure 2 Removing the baking tray

10. Use the removal tool to remove the baking tray from the oven.
11. Close the oven door.
12. Remove the food from the baking tray and put it on a plate. Take care! The food is hot.

13. Once you have finished, rotate the SELECTOR knob to "OFF" and remove the plug from the plug socket.

Grilling

You can use the grill function to give fish, poultry and oven dishes a golden brown crust.

1. Open the oven door.
2. Place the baking tray in the bottom groove in the oven. The baking tray will collect any juice and fat whilst grilling and prevent the juice and fat from getting on the bottom heating element.
3. Place the grille with the food in the middle or top grooves in the oven.
4. Leave the oven door slightly open so as to allow the air to circulate.
5. Use the TEMPERATURE knob to set the required temperature.
6. Rotate the SELECTOR knob to the  setting.
7. Use the TIMER knob to set the grilling time. The amount of time required depends on the type and quantity of food. The On/Off indicator will be lit.
8. Grill the food until it is cooked. The oven will turn itself off automatically and a sound signal will be heard once the grilling time has elapsed. The On/Off indicator light will go out.

Note: If the food is ready but the grilling time has not yet elapsed, you can turn off the grill by rotating the SELECTOR knob to "OFF". The timer will continue, but the grill will no longer be turned on.

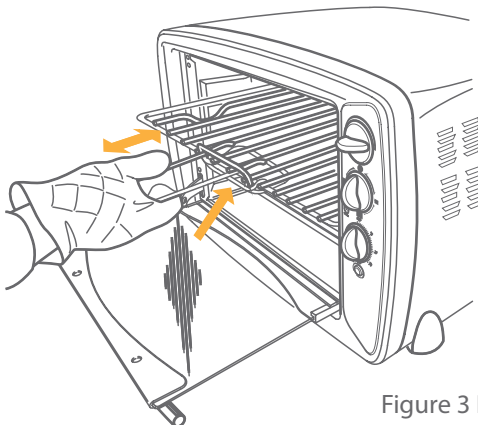


Figure 3 Removing the grille

9. Wear oven gloves.
10. Open the oven door. Take care! The door is hot.
11. Use the removal tool to remove the grille with the food from the oven.
12. Remove the food from the grille and put it on a plate. Take care! The food is hot.
13. Use the removal tool to remove the baking tray from the oven. Take care! Any juice and fat on the baking tray will be hot!
14. Close the oven door.
15. Once you have finished grilling, rotate the SELECTOR knob to "OFF" and remove the plug from the plug socket.

Using the roasting spit

You can use the roasting spit to roast meat and poultry to a nice, even brown colour.

1. Open the oven door.
2. Place the baking tray in the bottom groove in the oven. The baking tray will collect any juice and fat whilst roasting and prevent it from getting on the bottom heating element.
3. Remove the clamp from the round end of the roasting spit.
4. Spike the meat or poultry to be roasted on the round end of the roasting spit. Make sure the roasting spit is inserted through the middle of the meat or poultry.
5. Use the clamps to secure the meat or poultry to the roasting spit.

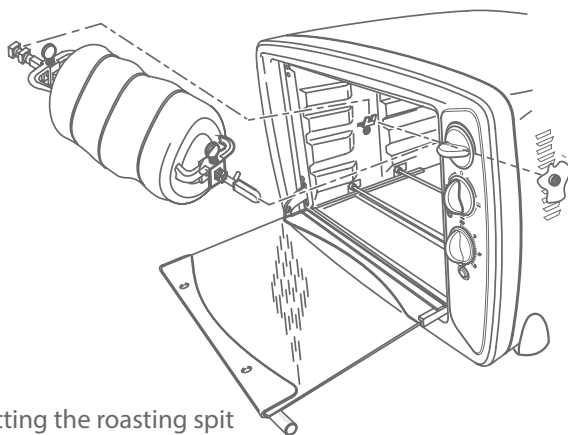


Figure 4 Fitting the roasting spit


6. Place the roasting spit with the meat or poultry in the oven. Insert the round end of the roasting spit into the drive sleeve. Place the straight end of the roasting spit on the support.

Note: Make sure the meat or poultry does not touch the top heating element when turning.



7. Leave the oven door slightly open so as to allow the air to circulate.

8. Use the TEMPERATURE knob to set the required temperature.

9. Rotate the SELECTOR knob to the  setting.

When using the roasting spit we advise you to use only the top heat, because the bottom heat elements are covered by the baking tray which catches grease and therefore it has no effect.

10. Use the TIMER knob to set the roasting time. The amount of time required depends on the type and quantity of food. The On/Off indicator will be lit.

11. Roast the meat or poultry until it is cooked. The oven will turn itself off automatically and a sound signal will be heard once the roasting time has elapsed. The On/Off indicator light will go out.

Note: If the meat or poultry is ready but the roasting time has not yet elapsed, you can turn off the oven by rotating the SELECTOR knob to "OFF". The timer will continue, but the oven will no longer be heated.



12. Wear oven gloves.

13. Open the oven door. Take care! The door is hot.

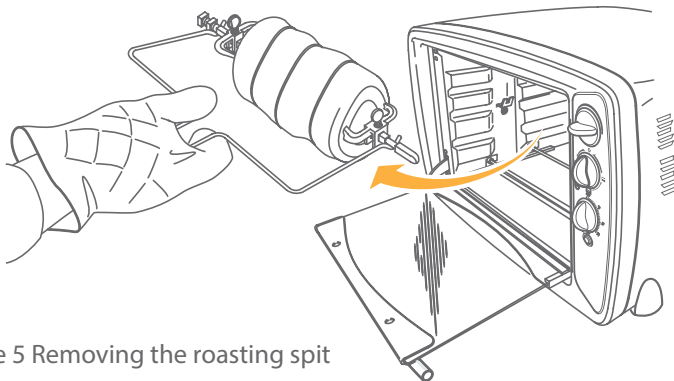


Figure 5 Removing the roasting spit

14. Use the removal tool to remove the roasting spit with the meat or poultry and place it on a plate.

15. Close the oven door.

16. Remove the clamp from the round end of the roasting spit and remove the meat or poultry from the roasting spit. Take care! The roasting spit and the meat or poultry are hot.

17. Use the removal tool to remove the baking tray from the oven. Take care! Any juice and fat on the baking tray will be hot!

18. Once you have finished, rotate the SELECTOR knob to "OFF" and remove the plug from the plug socket.

CLEANING AND MAINTENANCE

Clean the appliance every time after use.

1. Remove the plug from the wall socket and allow the appliance to cool down completely.

2. Use warm water with a small amount of washing-up liquid to clean the baking tray, the grille, the roasting spit and the removal tool. Rinse the items with plenty of water and dry them thoroughly.

3. Use a damp cloth to clean the interior and exterior of the oven and the door. Dry them thoroughly.

4. Place all the items back in the oven and store the oven



PLEASE NOTE



- Make sure the plug has been removed from the plug socket before cleaning the appliance.

- Never use corrosive or scouring cleaning agents or sharp objects (such as knives or hard brushes) to clean the appliance.

- Never immerse the appliance, the power cord or the plug in water or any other fluid.

TECHNICAL INFORMATION

Type:EO 261

Output: 1500W

Power supply: 230V ~ 50Hz

THE ENVIRONMENT

Dispose of packaging material, such as plastic and boxes, in the appropriate waste containers.



When this product reaches the end of its useful life do not dispose of it by putting it in a dustbin; hand it in at a collection point for the reuse of electrical and electronic equipment. Please refer to the symbols on the product, the user's instructions or the packaging.



The materials can be re-used as indicated. Your help in the re-use, recycling or other means of making use of old electrical equipment will make an important contribution to the protection of the environment.

Contact your municipality for the address of the appropriate collection point in your neighbourhood.

GUARANTEE TERMS

The importer guarantees the appliance for defects caused by manufacturing and/or material faults for 36 months from the date of purchase, subject to the following conditions.

1. No charges will be made for labour or materials during the guarantee period. Any repairs carried out during the guarantee period do not extend the guarantee period.
2. The importer automatically becomes the owner of any faulty parts or a faulty appliance (in the event of a complete replacement) replaced by the importer.
3. All claims submitted under guarantee must be accompanied by the original bill of sale.
4. Claims under guarantee must be submitted to the dealer where the appliance was purchased, or to the importer.
5. The guarantee is issued solely to the first purchaser, and cannot be transferred.
6. The guarantee does not cover damage caused by:
 - a. accidents, incorrect use, wear and/or neglect;
 - b. faulty installation and/or use in a manner contravening the prevailing statutory, technical or safety regulations;
 - c. connection to a mains voltage other than the voltage specified on the type plate;
 - d. unauthorised modifications; e. repairs carried out by third parties; f. careless transport, i.e. without suitable packing or protection.
 - e. repairs carried out by third parties;
 - f. careless transport, i.e. without suitable packing or protection.
7. No claims may be made under this guarantee:

- a. for losses incurred during transport;
- b. if the removal or amendment of the appliance's serial number.
- 8. The guarantee does not cover power cords, lamp bulbs, or glass parts.
- 9. No claims can be submitted under this guarantee for damage other than repair or replacement of faulty parts. The importer can never be held responsible for any consequential loss or damage, or any other consequences, resulting either directly or indirectly from the supply of the appliance by the importer.
- 10. All costs of transport, packing and transport insurance are borne by the purchaser.
- 11. This appliance is not suitable for professional use.

Elektrikli cihaz kullandığınız zaman aşağıda verilen temel güvenlik tedbirlerine daima uymalısınız



ÖNEMLİ GÜVENLİK TEDBİRLERİ

Bu ızgara-fırını aldığınız için sizleri tebrik ederiz ve birçok lezzetli yemekler sunmanız için bu cihazı eklemek kızırtma, fırın, ızgara ve rosto yapmak amaçlı kullanabilirsiniz. 26 litrelik olan bu fırın üst ve altı eşit olarak ısıtabilen alt ve üst ısıtma elementleri, konveksiyon fonksiyonu ve çeşitli termostatlara sahiptir.

GÜVENLİK TALIMATLARI

Genel Bilgiler



- Lütfen bu talimatları dikkatlice okuyunuz ve ileride kullanmak için saklayınız.
- Bu cihazı sadece talimatlarda verilen şekilde kullanınız.
- Yetişkin bir kişinin sorumluluğunda, gözetiminde veya cihazı kullanmak için bir talimat verilmedikçe bu cihazın çocuklar,

fiziksel ve zihinsel yetenekleri az olan kişilerce kullanılması onların güvenliği için uygun değildir.

- Herhangi bir onarım durumunda bunun yetkili uzman elektrikçilerle yapılması gerekmektedir. Kendi kendinize asla cihazı onarmaya çalışmayınız.

Elektrik ve Isı



- Kullanmadan önce cihazdaki plaka tipi üzerinde belirtilen voltaj ile ana voltajın aynı olduğunu doğrulayınız.
- Cihazı sadece toprak hatlı bir prize takınız.
- Cihazı kullanmadığınız zamanlar da daima elektrik fişini cihazdan çıkarınız.
- Cihazın elektrik kablosunu prizden çıkarırken daima elektrik fişinden tutarak çekiniz kablosundan çekerek çıkarmayınız.
- Cihazın elektrik kablosunun zarar görmediğinden emin olmak için düzenli aralıklarda kablosunu kontrol ediniz. Cihazı asla zarar görmüş elektrik kablosu ile kullanmayınız. Zarar görmüş kablosunu yetkili uzman servisinin değiştirmesi gerekmektedir.
- Uzatma kablosu kullanma durumunda daima tüm kablunun makarasından sarılmamış açılmış olarak durması gerekmektedir.

- Sadece onaylanmış uygun uzatma kablosu kullanınız.
- Cihazın belli bölümleri ısınabilir onlara dokunmayınız sizde yanabilirsiniz.
- Cihazın ısısının kaçması için bir yere ihtiyacı vardır böylece yangın riskini engellenir. Cihazın kullandığınız yerin ve etrafının uygun olduğuna emin olunuz ve yanıcı maddelerle temas etmesin. Cihazın üzeri kapatılmamalıdır.
- Cihazı asla yanıcı ve parlayıcı maddeler olan bir alanda kullanmayınız.
- Cihazın kendisi, fişi ve elektrik kablosunun çıplak ateş gören yer ve sıcak ocak gibi yerlere temas etmeyecek olduğundan emin olunuz.
- Cihazın kendisi, fişi ve elektrik kablosunun su ile temas etmediğinden emin olunuz.

KULLANIM ESNASINDA

- Cihazı asla dışarıda kullanmayınız.
- Nemli bir odada cihazı kullanmayınız.
- Cihazın düşmemesi için düz ve dengeli bir zeminde kullanınız.
- Cihaza, kablosuna ve fişine dokunmadan önce elinizin ıslak olmadığından emin olunuz.
- Kullanım esnasında arıza olduğunda, temizlik öncesi, aksesuarların takılıp çıkarılması anında ya da cihazı kullandıktan sonra saklayacaksanız önce cihazı kapalı düğmesi ile kapatıp elektrik fişini prizinden çıkarınız.
- Cihazı asla gözetimsiz olarak yalnız başına çalıştırmayınız.
- Cihaz çalışma durumunda veya hala sıcak ise hareket ettirmeyiniz. Cihazı kapatınız ve hareket ettirmeden önce soğumasını bekleyiniz.
- Cihazın etrafında uygun boş bir yerin olduğundan emin olunuz (En az 10 cm) özellikle yukarıdaki cihaz için (en az 30 cm) tutunuz.
- Fırının cam kapağı çalışma esnasında ısınacaktır. Kapağı açarken daima tutacak kullanınız.
- Izgara ve rosto yaptıktan sonra fırın tepsisini çıkarırken daima ilgili aletlerini kullanınız.
- Karton, plastik, kağıt, mum veya yanıcı maddeler gibi cisimleri fırının üzerinde bulundurmayınız.
- Fırın kapağını açarken ağır cisimleri fırın üzerinde tutmayınız.
- Fırın tepsisinde sıcak su ve yağ var iken dikkatlice çıkarınız.
- Kısa bir süre kullanım veya kullanım sonrasında fırın kapağının kontak kısmından sızan suya dikkat ediniz bu kapak camının kırılmasına neden olabilir.
- Cihazı asla bir gaz contası yakınına, ısı kaynaklı bir yere ve elektrikli vantilatör yakınında tutmayınız. Bunlar cihazın sıcaklık kontrol sistemine negatif etkide bulunabilir.
- Cihaz suya düşmüş ise sudan çıkarmayınız elektrik fişini prizden çıkarınız ve cihazı asla bir daha kullanmayınız.
- Cihazı kullandıktan hemen sonra temizleyiniz. (Temizlik ve Bakım kısmına

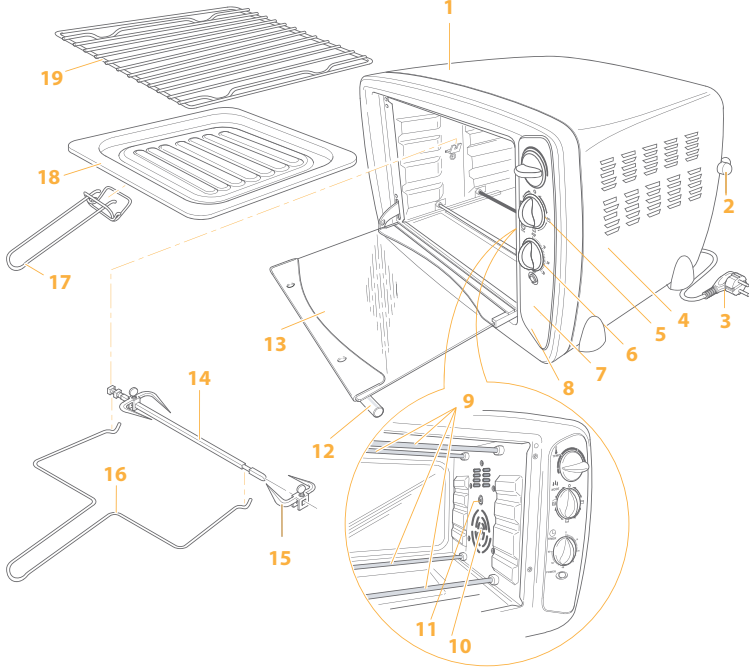
bakınız).

- Cihazı, elektrik kablosunu, fişini su ve benzeri sıvılara batırmayınız.

OPERASYON

Genel Bilgiler

Bu ızgara-fırın sadece dâhili kullanımlar için tasarlanmıştır. Profesyonel maksatlı değildir.



1. Gövde
2. Ara levha
3. Güç kablosu ve fişi
4. Havalandırma yarığı
5. SICAKLIK düğmesi
6. SEÇİCİ düğme (Alt ve üst ısıtma plakası)
7. ZAMANLAYICI düğmesi
8. Açık / Kapalı gösterge ışığı
9. Isıtma elementleri
10. Konveksiyon vantilatör
11. Rosto şiş sürme kolu
12. Kapak kolu
13. Kapı, kapak
14. Rosto şiş
15. Rosto şiş mandalı
16. Rosto şiş çıkarma aleti
17. Fırın tepsi / Izgara çıkarma aleti
18. Fırın tepsi
19. Izgara

İlk Kullanım öncesi

1. Paketlerinden çıkarınız.
2. Üretim esnasında kalan tortuları ve tüm aksesuarlarını temizleyiniz. ("Temizlik ve Bakım" kısmına bakınız). Onları iyice kurutunuz.
3. Kapağı açıkken ısıtma elementlerini en yüksek seviyede açarak 15 dakika çalıştırınız. Bu cihazdaki paketleme esnasında oluşan tüm kötü kokuları yok edecektir.

Not: İl kullanım esnasında bu cihazdan biraz duman ve özel bir koku yayılacaktır. Bu normaldir ve kısa bir süre sonra duracaktır. Cihazın iyi bir şekilde havalandırıldığından emin olunuz bu cihaz içindeki kötü kokuları giderecektir.



Ön Isıtma

Fırının ön ısıtması gerekmemektedir. Fakat bazı durumlarda örneğin orta veya az pişirilecek et için veya kek yapımı için daha etkili sonuçlar alabilmek için ön ısıtmaya gerek duyulabilir.


Konveksiyon-Fonksiyonu

Fırının arkasındaki fan sayesinde fırın içerisine sıcak hava üfler. Bu tabakları ısıtmak içindir. Aynı zamanda birkaç seviye ayarını kullanabilirsiniz böylece enerji tasarruf sağlanmış olur. Bu ısı yüklemesinden dolayı konveksiyon tarifi içerisinde belirtilenden 20 C daha düşük ayarlayabilirsiniz.

Sıcak hava sistemi ile kek, bisküvi ve elma turtası yapmak son derece uygundur. Arzuunuza göre çok çeşitli seviyede fonksiyonları aynı anda çalıştırabilirsiniz. Bu durumda fırın tepsilerini alt alta hizaya getirip koyabilirsiniz. Bisküvi yapımı için 2. Ve 3. Seviye pozisyonunda olmalıdır.

Pozisyon Kontrol Düğmesi	Ayarlamalar
Kapalı	Kapalı
	Üst Isıtma
	Alt Isıtma
	Üst ve Alt Isıtma

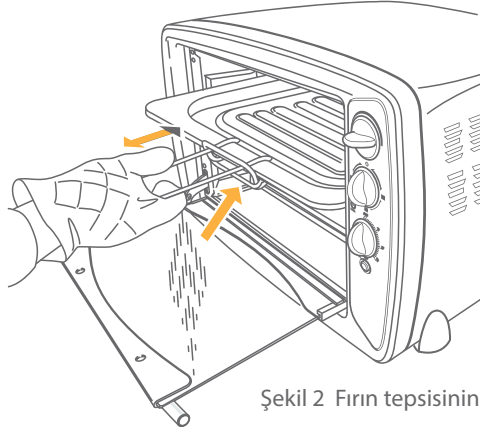
Fırlnlama

1. Fırın kapağını açın
2. Gıda ile dolu fırın tepsisini fırının oluğu içerisindeki istenilen yüksekliğe ayarlayınız.
3. Fırın kapağını kapatınız.
4. "SICAKLIK" düğmesi ile istenilen sıcaklığı ayarlayınız.
5. "Seçici" düğmesini  bu kısma doğru çeviriniz.
6. "ZAMANLAYICI" düğmesini kullanarak istenilen zaman ayarını yapınız. Pişirilecek gıdanın miktar ve cinsine göre bu zaman ayarı değişecektir." Açık/Kapalı" düğmesi ile fırını açınız.
7. Gıda pişene kadar fırınlayınız. Ayarlanan zaman geçtikten sonra fırın otomatik olarak kapanacak ve ses ikazı verecektir. "Kapalı/Açık" düğme gösterge ışığı sönecektir.



Not: Yemek pişmiş ise ve fırınlama zamanı daha geçmemişse fırını "kapalı" düğmesine getirerek kapatabilirsiniz zamanlama devam edecektir fakat fırın daha fazla ısıtma yapmayacaktır.

8. Fırın eldivenlerini takınız
9. Fırın kapağını açınız. Kapak sıcaktır dikkatli olunuz.




Şekil 2 Fırın tepsisinin çıkarılması.

10. Fırın tepsisini fırından çıkarmak için ilgili aletlerini kullanınız.
11. Fırın kapağını kapatınız.
12. Fırın tepsi içerisindeki yemekleri bir tabağa koyunuz. Yemek sıcaktır dikkatli olunuz.

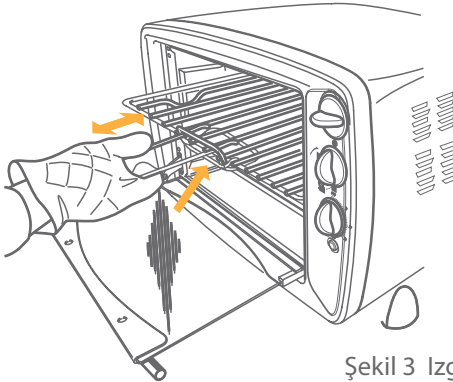
13. Tüm işlemler bittikten sonra fırını "Kapalı" durumuna getiriniz ve elektrik fişini prizinden çıkarınız.

Izgara

Izgara fonksiyonunu kullanarak balık, tavuk ve diğer fırın yemeklerini altın kahve kızarmış bir biçimde yapabilirsiniz.

1. Fırın kapağını açınız.
2. Fırın tepsisini alttaki oluğuna yerleştiriniz. Fırın tepsiyi çalışma esnasında yemekten çıkacak su ve yağların dökülmesini ve alt ısıtma elementine gelmesini engelleyecektir.
3. Izgara ile yemeği fırının orta ve üst oluğundan birisine yerleştiriniz.
4. Fırın kapağını biraz açık tutarak havalandırmayı sağlayınız.
5. "SICAKLIK" düğmesi vasıtası ile istenilen sıcaklığı ayarlayınız.
6. "SEÇİCİ" düğme ile fırını  durumunda ayarlayınız.
7. "ZAMANLAYICI" düğmesi ile ızgara zamanını ayarlayınız. Pişirilecek gıda miktar ve cinsine göre bu süre değişkendir. "Açma / Kapama" düğmesine basarak çalıştırınız.
8. Yiyecekler tamamen ızgara olana kadar bekleyiniz. Fırın otomatik olarak kapalı duruma geçecektir ve ızgara süresi dolunca ses ikazı verecektir. "Açma / Kapatma" gösterge ışığı sönecektir.

Note: Yemek pişmiş ise ve ızgara zamanı daha geçmemişse fırını "kapalı" düğmesine getirerek kapatabilirsiniz zamanlama devam edecektir fakat fırın daha fazla ızgara yapmayacaktır. Fırın otomatik olarak kapalı duruma geçecektir ve ızgara süresi dolunca ses ikazı verecektir. "Açma / Kapatma" gösterge ışığı sönecektir.



Şekil 3 Izgaranın çıkarılması

9. Fırın eldivenlerini takınız

10. Fırın kapağını açınız. Kapak sıcaktır dikkatli olunuz.

11. Izgarayı yemekle birlikte fırından çıkarmak için ilgili aletlerini kullanınız.

12. Izgara üzerindeki çıkarınız ve yemekleri bir tabağa koyunuz. Yemek sıcaktır dikkatli olunuz.

13. Fırın tepsisini de çıkarmak için ilgili aletlerini kullanınız ve sıcak su ve yağlara dikkat ediniz.

14. Fırın kapağını kapatınız.

15. Tüm işlemler bittikten sonra fırını "Kapalı" durumuna getiriniz ve elektrik fişini prizinden çıkarınız.

Rosto Şişinin Kullanılması

Rosto şiş fonksiyonunu kullanarak tavuk ve et yemeklerini altın kahve kızarmış bir biçimde yapabilirsiniz.

1. Fırın kapağını açınız.

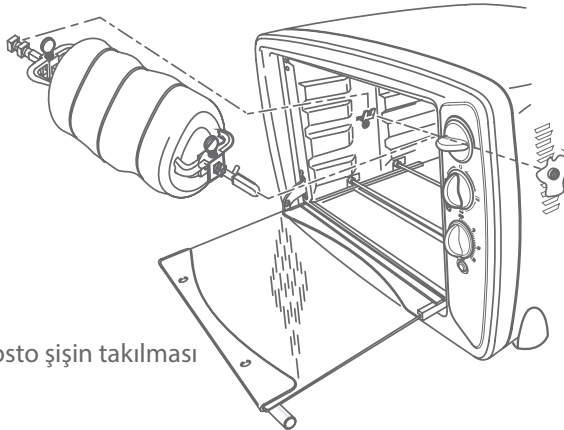
2. Fırın tepsisini alttaki oluğuna yerleştiriniz. Fırın tepsi çalışma esnasında yemekten çıkacak su ve yağların dökülmesini ve alt ısıtma elementine gelmesini engelleyecektir.

3. Rosto şiş sonundaki yuvarlak kısımdan mandalını çıkarınız.

4. Et ya da tavuğunuzu rosto şiş sonundan başlayarak saplayınız. Rosto şişin et ya da tavuğun tam ortasından saplandığından emin olunuz.

5. Rosto şiş mandalını kullanarak et ya da tavuğun güvenli takılmasını sağlayınız.

6. Rosto şişini tavuk veya et takılı bir biçimde fırına yerleştiriniz. Rosto şiş yuvarlak kısmını döner yuvasına takınız ve şişi ileri doğru destekleyerek yerleştiriniz.



Şekil 4 Rosto şişin takılması

Not: Yemek pişmiş ise ve rosto zamanı daha geçmemişse fırını "kapalı" düğmesine getirerek kapatabilirsiniz zamanlama devam edecektir fakat fırın daha fazla ısıtma yapmayacaktır.

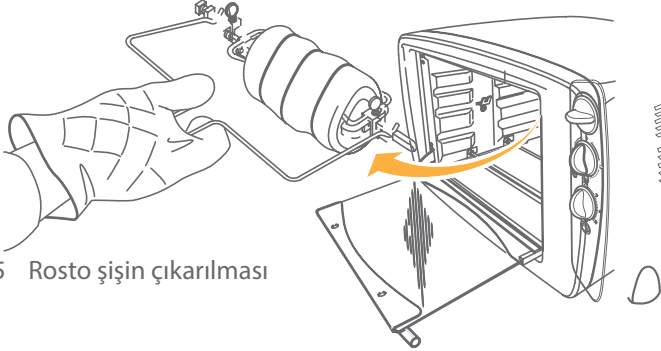


7. İçeride havalandırmayı sağlamak için kapıyı hafif ara bırakınız.
8. "SICAKLIK" düğmesi vasıtası ile istenilen sıcaklığı ayarlayınız.
9. "SEÇİCİ" düğme ile fırını durumunda ayarlayınız.
10. "ZAMANLAYICI" düğmesi ile izgara zamanını ayarlayınız. Pişirilecek gıda miktar ve cinsine göre bu süre değişkendir. "Açma / Kapama" düğmesine basarak çalıştırınız.
11. Et veya tavuk tamamen rosto olana kadar bekleyiniz. Fırın otomatik olarak kapalı duruma geçecektir ve rosto süresi dolunca ses ikazı verecektir. "Açma / Kapatma" gösterge ışığı sönecektir. elapsed. The On/Off indicator light will go out.

Not: Yemek pişmiş ise ve rosto zamanı daha geçmemişse fırını "kapalı" düğmesine getirerek kapatabilirsiniz zamanlama devam edecektir fakat fırın daha fazla ısıtma yapmayacaktır.



12. Fırın eldivenlerini takınız
13. Fırın kapağını açınız. Kapak sıcaktır dikkatli olunuz.



Şekil 5 Rosto şişin çıkarılması

14. Rosto şişi tavuk ya da et ile birlikte fırından çıkarmak için ilgili aletlerini kullanınız ve bir tabağa koyunuz.
15. Fırın kapağını kapatınız.
16. Rosto şiş sonundaki yuvarlak kısmın mandalını çıkarınız ve şişten çıkarınız. Rosto şiş tavuk ve et sıcaktır dikkatli olunuz!
17. Fırın tepsisini de çıkarmak için ilgili aletlerini kullanınız ve sıcak su ve

yağlara dikkat ediniz.

18. Tüm işlemler bittikten sonra fırını “Kapalı” durumuna getiriniz ve elektrik fişini prizinden çıkarınız.

BAKIM VE TEMİZLİK

Her kullanım sonrası cihazınızı temizleyiniz.

1. Önce elektrik fişini prizinden çıkarınız ve cihazın soğumasını bekleyiniz.



2. Fırın tepsisini çok az bir deterjan kullanarak sıcak su ile yıkayınız. Izgara rosto şiş ve diğer çıkarılabilen aletlerini bolca suda yıkayınız ve sonra kurulayınız.

3. Nemli bir bez ile fırın iç ve dış kısmını siliniz ve iyice kurulayınız.

4. Tekrar tüm parçalarını yerleştirip saklayınız.

DİKKAT LÜTFEN



• Temizlik öncesi cihazın elektrik fişinin prizinden çıkmış olduğuna emin olunuz.

• Cihazı temizlerken aşındırıcı temizlik maddeleri ve keskin cisimler kullanmayınız (Bıçak veya sert fırçalar).

• Cihazı, kablosunu ve fişini asla su ve benzeri sıvı içerisine batırmayınız.

TEKNİK BİLGİLER

Tip:EO 261

Çıkış: 1500W

Güç Kaynağı: 230V ~ 50Hz

ÇEVRE



Paketleme ambalajlarını plastik ya da karton kutu gibi atıkları uygun çöp kutusuna koyunuz.

Bu ürün yaşam ömrünü tamamladığında ve artık kullanılmaz durumda ise ürünü çöp bidonuna koymayınız. Bu ürünü elektrik ve elektronik atık toplayan ilgili merkezlerine teslim ediniz.



Lütfen ürün üzerindeki sembolere, kullanma talimatlarına ya da paketleme talimatlarına başvurunuz.

Materyaller belirtilen şekilde tekrar kullanılabilir. Tekrar kullanılmasına veya geri dönüşümüne yardımlarınız sonucu

çevreyi de korumuş olmaktadır. Size en yakın uygun atık toplama merkezini öğrenmek için belediyeleri arayabilirsiniz.

Üretim hatası veya materyal hatalarından dolayı arızalanmalardan ithalatçı firma garantisi aşağıdaki koşullara bağlı olarak ürünün alındığı tarihten itibaren 36 aydır.

1. Garanti dönemi içerisinde yapılan işçilikten ve materyallerden ücret alınmaz. Garanti süresi içerisinde yapılan tamirler bu garanti süresini uzatmaz.
2. İthalatçı firma herhangi bir cihaz arıza veya arızalı parça değişikliğini otomatik olarak sahiplenir ve gerektiği gibi yerine getirir. (Hatta tümünden değişmesi de dahildir.)
3. Garanti kapsamı içerisindeki olabilecek tüm iddiaların orijinal satış faturası ile birlikte sunulması gerekmektedir.
4. Garanti kapsamı içerisindeki iddialar ürünün alındığı satıcıya ya da direk olarak ithalatçı firmaya yapılır.
5. Garanti sadece ilk alıcı üzerine yapılır. Başka kişilere transfer edilemez.
6. Aşağıda belirtilen zararlar garanti kapsamında değildir.
 - a) Kaza, yanlış kullanım, eskime ve ihmal.
 - b) Hatalı montaj, yürürlükteki kanunlara aykırı bir şekilde kullanım, teknik ve güvenlik yönetmelikleri:
 - c) Plaka üzerindeki etiketinde verilen elektrik voltajından farklı bir güç kaynağına bağlanması.
 - d) Onaylanmayan düzeltmeler, tamir ve bakımının 3. Kişilerce yapılması, dikkatsiz taşıma, uygun olmayan korumasız paketlemeler gibi...
 - e) 3. Kişilerce onarım ve bakım yapılması
 - f) Dikkatsiz transport, uygun olmayan korumasız paketlemeler gibi...
7. Garanti kapsamı içerisinde iddia edilemeyecek durumlar
 - a) Transport safhasında kaybolması
 - b) Cihazın üzerindeki seri numarasının çıkarılması ya da düzeltilmesi.
8. Garanti kapsamı elektrik kablosu, lamba ampulleri ve cam kısımları kapsamaz.
9. Başkaları tarafından yapılan hatalı parça değişiklikleriyle olan narımlardan dolayı meydana gelen zararlar garanti kapsamı içerisinde değildir. Bu durumda ithalatçı firma meydana gelen dolaylı kayıp ve zararlardan asla sorumlu tutulamaz. Ve diğer dolaylı ya da dolaysız kayıplar ithal edenlerce sorumlu tutulmaz.
10. Tüm taşıma ücretleri, paketleme ve taşıma sigortası alıcı tarafından karşılanır.
11. Bu cihaz profesyonel kullanım için uygun değildir.



از اجزاء این دستگاه آن طور که ذکر شد، می توان استفاده ی مجدد کرد. مساعدت شما در استفاده ی مجدد قطعات، بازیافت و دیگر کاربردهای ابزاری از تجهیزات برقی به محافظت از محیط زیست کمک می کند. با شهرداری محل اقامت یا مراکز جمع آوری وسایل برقی تماس بگیرید.

محیط زیست

در صورت عیوب ساخت و/یا کمبود اجزاء، واردکننده به مدت ۲ سال از زمان خرید با شرایط زیر این کالا را ضمانت می کند.

۱. در طول دوره ی ضمانت، هیچ هزینه ای بابت دستمزد تعمیر یا تعویض قطعات برعهده ی شما نخواهد بود. ولی پس از پایان دوره ی ضمانت، هیچگونه تعمیر بدون هزینه، صورت نخواهد گرفت.

۲. در صورت تعویض قطعات یا دستگاه توسط واردکننده، قطعات یا دستگاه معیوب خودبخود تحت اختیار واردکننده قرار می گیرد.

۳. هرگونه مطالبه بابت ضمانت نامه ی دستگاه باید همراه با برگه ی فروش کالا اعلام شود.

۴. هرگونه مطالبه بابت ضمانت نامه ی دستگاه باید به فروشنده ای که کالا از آن خریداری شده است، ارجاع داده شود.

۵. این ضمانت نامه برای اولین خریدار دستگاه صادر خواهد شد و به خریداران بعدی منتقل نخواهد شد.

۶. موارد زیر تحت پوشش ضمانت نامه قرار نمی گیرد:

الف. صدمه ناشی از ضربه، استفاده ی نادرست، مستهلک شدن یا اهمال کاری

ب. نصب ناقص و/یا تخلف و تخطی از قوانین فنی و ایمنی

پ. نصب دستگاه به ولتاژی غیر از ولتاژ تعیین شده روی دستگاه

ت. تغییر غیرمجاز قطعات از جمله تعمیر

ث. تعمیرات توسط اشخاص متفرقه

ج. حمل بدون مراقبت دستگاه مانند عدم استفاده از جعبه و محافظ

۷. در صورت بروز موارد زیر مطالبه بابت مزایای ضمانت نامه معتبر نخواهد بود:

الف. خسارات ایجادشده در هنگام حمل

ب. برداشتن یا تغییر دادن شماره سریال کالا

۸. این ضمانت نامه، سیم برق، لامپ و قطعات شیشه ای را تحت پوشش قرار نمی دهد.

۹. به جز تعمیر و/یا تعویض قطعات معیوب، هیچ مطالبه ای بابت اجزاء دیگر کالا شامل این ضمانت نامه نمی گردد. واردکننده هرگز مسئول پیامدهای مربوط به صدمات مربوط به استفاده ی غیر مجاز از دستگاه نخواهد بود.

۱۰. تمام هزینه های حمل و سایر هزینه های بیمه ی حمل و بسته بندی پس از خرید برعهده ی خریدار خواهد بود.

۱۱. دستگاه برای استفاده ی صنعتی مناسب نیست.

۱۴. برای بیرون آوردن سینی گریل از آون، از ابزار مخصوص که همراه با دستگاه موجود است، استفاده کنید.

۱۵. درب آون را ببندید.

۱۶. گیره‌های مخصوص را از انتهای گرد سیخ جدا کرده و گوشت یا مرغ بریانی شده را از سیخ بیرون بیاورید. مراقب باشید! سیخ و گوشت یا مرغ داغ هستند.

۱۷. برای بیرون آوردن سینی پخت از آون، از ابزار مخصوص موجود استفاده کنید. مراقب باشید! در این لحظه چربی و مایعات روی سینی داغ هستند.

تمیزکاری و نگهداری

بعد از هر بار استفاده، دستگاه را تمیز کنید.

۱. دوشاخه را از پرز جدا کرده و صبر کنید تا دستگاه کاملاً خنک شود.



۲. برای تمیز کردن سینی پخت، سینی گریل، سیخ جوجه‌گردان و ابزار مخصوص بیرون‌کشی، از آب گرم و مقدار کمی مایع ظرفشویی استفاده کنید. این وسایل را با آب کافی شسته سپس کاملاً خشک کنید.

۳. برای تمیز کردن محفظه داخلی، بدنه و درب آون از دستمالی نرم‌دار استفاده کنید.

۴. تمام ابزار را درون آون بگذارید و آون را درجایی مناسب قرار دهید.

لطفاً توجه کنید



• قبل از تمیزکاری دستگاه، مطمئن شوید که دوشاخه از پرز جدا باشد.

• برای تمیزکاری دستگاه از مواد تمیزکننده جلادهنده و ساینده یا اشیاء تیز استفاده نکنید.

• هرگز دستگاه، سیم برق یا دوشاخه را در آب یا هیچ مایع دیگر قرار ندهید.

اطلاعات فنی

مدل: EO 261.....

توان: ۱۵۰۰ وات

ولتاژ/فرکانس برق: ۲۳۰ ولت/۵۰ هرتز

محیط زیست




مواد بسته‌بندی مانند پلاستیک و جعبه را در سطل‌های زباله بریزید. زمانیکه عمر مفید دستگاه پایان یافت، آن را در سطل آشغال نیندازید. آن را به مراکز جمع‌آوری وسایل برقی ببرید تا از تجهیزات برقی و الکترونیکی آن استفاده‌ی مجدد شود. لطفاً به علامتهای روی دستگاه، دفترچه و بسته بندی توجه کنید.

۶. با قراردادن انتهای گِرد سیخ درون شکاف محور مخصوص، سیخ را درون محفظه‌ی آون قرار دهید.

توجه: مطمئن شوید که گوشت یا مرغ به المنت‌های بالایی یا پایینی تماس پیدا نمی‌کند.

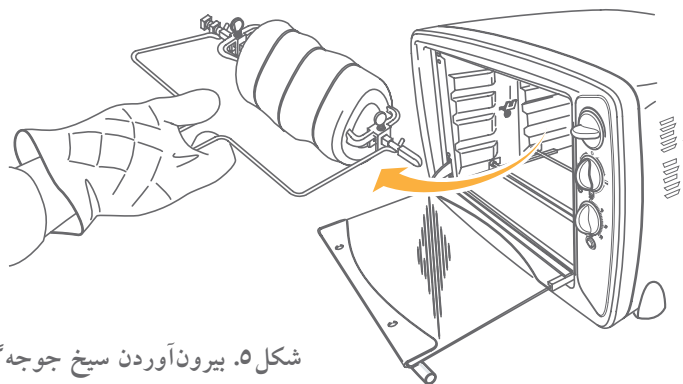


- ۷. درب آون را کمی باز بگذارید تا هوا در جریان باشد.
- ۸. برای تنظیم دمای مورد نیاز، از دکمه‌ی TEMPERATURE استفاده کنید.
- ۹. دکمه‌ی انتخابگر (SELECTOR) را روی  تنظیم کنید.
- ۱۰. برای تنظیم زمان گریل از دکمه‌ی TIMER استفاده کنید. مقدار زمان بستگی به نوع و مقدار غذا دارد. سپس نشانگر On/Off روشن خواهد شد.
- ۱۱. صبر کنید تا بریانی شدن کامل غذا، آون به پخت ادامه دهد. آون به صورت اتوماتیک خاموش و پیغامی صوتی شنیده می‌شود. در پایان پخت، چراغ نشانگر On/Off خاموش می‌شود.

توجه: اگر در طول کارکرد دستگاه متوجه شدید که غذا پخته است ولی زمان پخت هنوز پایان نیافته است، می‌توانید با چرخاندن دکمه‌ی SELECTOR، آون را خارج کنید. تایمر به کار خود ادامه می‌دهد ولی آون دیگر گرما پخش نمی‌کند.



- ۱۲. دستکش مخصوص آون را بپوشید.
- ۱۳. درب آون را باز کنید. مراقب باشید! درب داغ است.



شکل ۵. بیرون آوردن سیخ جوجه گردان

۹. دستکش مخصوص آون را بپوشید.

۱۰. درب آون را باز کنید. مراقب باشید! درب داغ است.

۱۱. برای بیرون آوردن سینی گریل از آون، از ابزار مخصوص که همراه با دستگاه موجود است، استفاده کنید.

۱۲. غذا را از درون سینی بردارید و در بشقابی قرار دهید. مراقب باشید! غذا داغ است.

۱۳. برای بیرون آوردن سینی پخت از آون، از ابزار مخصوص موجود استفاده کنید. مراقب باشید! در این لحظه چربی و مایعات روی سینی داغ هستند.

۱۴. درب آون را ببندید.

۱۵. سپس دکمه‌ی SELECTOR را در وضعیت «OFF» قرار دهید و دوشاخه را پریز برق جدا کنید.

استفاده از سیخ جوجه‌گردان

برای بریانی کردن عالی و یکدست-طلايي گوشت و مرغ می‌توان از این عملکرد استفاده کرد.

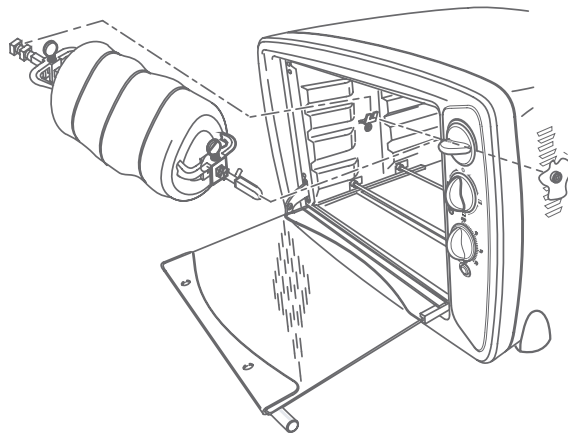
۱. درب آون را باز کنید.

۲. سینی پخت را در شیار پایینی محفظه قرار دهید. مایعات و چربی خارج شده از گریل کردن در سینی پخت جمع‌آوری می‌شود. این تمهید برای جلوگیری از ریختن مایعات داغ روی المنت در نظر گرفته شده است.

۳. گیره‌های مخصوص را از انتهای گرد سیخ جدا کنید.

۴. برای بریانی کردن، گوشت یا مرغ را از انتهای گرد سیخ عبور دهید. مطمئن شوید که سیخ از وسط گوشت یا مرغ عبور می‌کند.

۵. سپس برای محکم کردن گوشت یا مرغ روی سیخ، از گیره‌ها استفاده کنید.



شکل ۴. تنظیم سیخ جوجه‌گردان

۱۳. سپس دکمه‌ی SELECTOR را در وضعیت «OFF» قرار دهید و دوشاخه را از پریز برق جدا کنید.

گریل کردن

از عملکرد گریل (Grill) می‌توان برای برشته و طلایی کردن ماهی، مرغ و غذاهای مناسب آن استفاده کرد.

۱. درب آن را باز کنید.

۲. سینی پخت را در شیار پایینی محفظه قرار دهید. مایعات و چربی خارج شده از گریل کردن در سینی پخت جمع‌آوری می‌شود. این تمهید برای جلوگیری از ریختن مایعات داغ روی المنت در نظر گرفته شده است.

۳. سینی گریل را در شیار میانی یا بالایی قرار دهید.

۴. درب آن را کمی باز بگذارید تا هوا در جریان باشد.

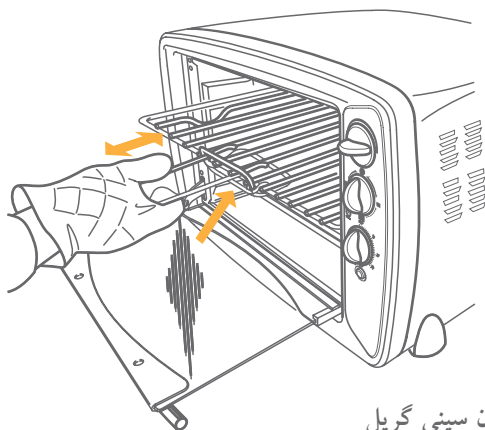
۵. برای تنظیم دمای مورد نیاز، از دکمه‌ی TEMPERATURE استفاده کنید.

۶. دکمه‌ی انتخابگر (SELECTOR) را روی  تنظیم کنید.

۷. برای تنظیم زمان گریل از دکمه‌ی TIMER استفاده کنید. مقدار زمان بستگی به نوع و مقدار غذا دارد. سپس نشانگر On/Off روشن خواهد شد.

۸. صبر کنید تا پخت کامل غذا، آن به گریل کردن ادامه دهد. آن به صورت اتوماتیک خاموش و پیغامی صوتی شنیده می‌شود. در پایان پخت، چراغ نشانگر On/Off خاموش می‌شود.

توجه: اگر در طول کارکرد دستگاه متوجه شدید که غذا پخته است ولی زمان پخت هنوز پایان نیافته است، می‌توانید با چرخاندن دکمه‌ی SELECTOR، آن را خاموش کنید. تایمر به کار خود ادامه می‌دهد ولی آن دیگر گرما پخش نمی‌کند.



شکل ۳. بیرون آوردن سینی گریل

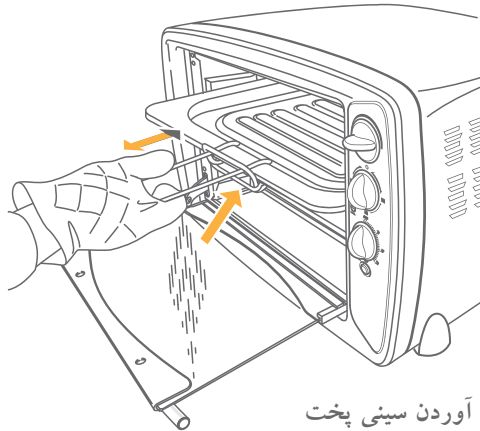
مراحل پخت

۱. درب آون را باز کنید.
۲. سینی پخت محتوی غذا را در ارتفاع دلخواه درون شیارهای محفظه قرار دهید.
۳. درب آون را ببندید.
۴. برای تنظیم دمای موردنیاز، از دکمه‌ی TEMPERATURE استفاده کنید.
۵. دکمه‌ی انتخابگر (SELECTOR) را روی  تنظیم کنید.
۶. برای تنظیم زمان پخت از دکمه‌ی تایمر (TIMER) استفاده کنید. زمان پخت بستگی به نوع و مقدار غذا دارد. سپس نشانگر On/Off روشن خواهد شد.
۷. صبر کنید تا پخت کامل غذا، آون به پخت ادامه دهد. آون به صورت اتوماتیک خاموش و پیغامی صوتی شنیده می‌شود. در پایان پخت چراغ نشانگر On/Off خاموش می‌شود.



توجه: اگر در طول کارکرد دستگاه متوجه شدید که غذا پخته است ولی زمان پخت هنوز پایان نیافته است، می‌توانید با چرخاندن دکمه‌ی SELECTOR، آون را خاموش کنید. تایمر به کار خود ادامه می‌دهد ولی آون دیگر گرما پخش نمی‌کند.

۸. دستکش مخصوص آون را بپوشید.
۹. درب آون را باز کنید. مراقب باشید! درب داغ است.



شکل ۲. بیرون آوردن سینی پخت

۱۰. برای بیرون آوردن سینی پخت از آون، از ابزار مخصوص که همراه با دستگاه موجود است، استفاده کنید.
۱۱. درب آون را ببندید.
۱۲. غذا را از درون سینی بردارید و در بشقابی قرار دهید.

۱. بسته‌بندی را باز کنید.
۲. همه‌ی لوازم جانبی را تمیز کنید تا ذرات باقی‌مانده از فرایند تولید دستگاه پاک شود. (قسمت “تمیزکاری” را ببینید.) سپس آنها را کاملاً خشک کنید.
۳. درحالی‌که درب دستگاه باز است، به مدت ۱۵ دقیقه المنت‌های بالایی و پایینی را در بالاترین دما روشن نگاه دارید. این کار همه‌ی بوهای ناشی از بسته‌بندی را از بین می‌برد.

نکته: در هنگام روشن کردن دستگاه برای اولین بار دود و بویی خاص از دستگاه خارج می‌شود. این اتفاق عادی است و به‌زودی متوقف می‌شود. مطمئن شوید که فضای مناسبی برای تهویه‌ی دستگاه وجود دارد.



مراحل استفاده

پیش‌گرم‌کنی

لازم نیست که از عملکرد Preheating آون استفاده کنید. با این وجود در برخی مواقع از جمله نیم‌پز کردن ملامپ یا پخت کیک برای دستیابی به نتایج بهتر آشپزی می‌توانید عملکرد پیش‌گرم‌کنی دستگاه را نیز به‌کار اندازید.

پخت با فن هوای داغ

فن موجود در پشت دستگاه هوای داغ را در محفظه‌ی آون پخش می‌کند. از این عملکرد برای گرم کردن غذاهای اصلی نیز استفاده می‌شود. در یک زمان می‌توانید از چندین سطح گرما استفاده نمایید. این کار در مصرف بهینه‌ی انرژی نقش مهمی دارد. به‌دلیل گرمای قدرتمند فن، می‌توانید غذاها را ۲۰ درجه کمتر از آنچه در کتابچه‌های متداول آشپزی آمده است تنظیم کنید.

سیستم هوای داغ برای پخت انواع کیک، شیرینی و انواع تارت میوه مناسب است. اگر مایل باشید می‌توانید همزمان در چندین سطح آنها را بپزید. در این حالت سینی‌ها باید در یک ردیف قرار گیرند. برای پخت شیرینی، سینی‌ها را باید در ردیف‌های دوم و سوم قرار داد.

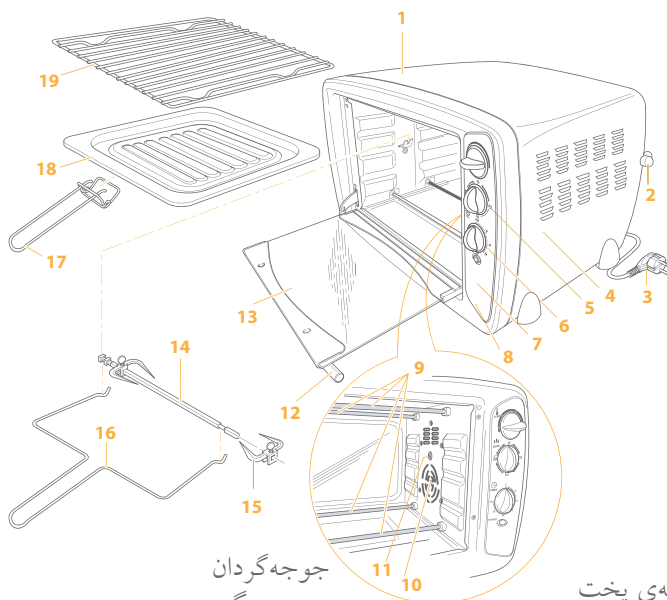
تنظیمات	دکمه‌ی کنترل وضعیت
خاموش	خاموش
☐	گرم‌ا از بالا
☐	گرم‌ا از پایین
☐	گرم‌ا از بالا و پایین

- دستگاه را در مجاورت گاز، دیگر منابع گرمایشی یا فن برقی قرار ندهید. این وسایل ممکن است تأثیر منفی در تنظیم دمای دستگاه بگذارد.
- اگر دستگاه افتاد آن را بلند نکنید. بلافاصله دوشاخه را از پریز جدا کنید و مجدداً از آن استفاده نکنید.
- بعد از استفاده، دستگاه را کاملاً تمیز کنید. (قسمت "تمیزکاری و نگهداری" را ببینید).
- هرگز دستگاه، سیم برق و دوشاخه را در آب یا مایعات دیگر فرو نبرید.

عملکرد دستگاه

اجزاء دستگاه

این دستگاه فقط برای مصارف خانگی در نظر گرفته شده است، از آن استفاده‌ی صنعتی نکنید.



جوجه گردان

- ۱۲. دستگیره‌ی درب
- ۱۳. درب
- ۱۴. سیخ جوجه گردان
- ۱۵. گیره‌ی سیخ جوجه گردان
- ۱۶. ابزار مخصوص برای بیرون آوردن سیخ
- ۱۷. ابزار مخصوص بیرون آوردن سینی پخت و گریل
- ۱۸. سینی پخت
- ۱۹. گریل

۱. محفظه‌ی پخت

- ۲. گیره‌ی حفظ فاصله
- ۳. سیم برق و دوشاخه
- ۴. منافذ تهویه
- ۵. دکمه‌ی "TEMPERATURE" (تنظیم دما)
- ۶. دکمه‌ی "انتخابگر" (المنت بالا و پایین)
- ۷. دکمه‌ی "TIMER"
- ۸. چراغ نشانگر On/Off
- ۹. المنت‌های گرمایشی
- ۱۰. فن هوای گرم
- ۱۱. شکاف محور مخصوص سیخ

• این دستگاه نیاز به مقداری فضای باز در اطراف خود دارد تا جریان هوا بتواند از آن عبور کند و مانع بروز خطر آتش‌گرفتنی گردد. مطمئن شوید فضایی آزاد در اطراف دستگاه وجود دارد و دستگاه در معرض مواد اشتعال‌زا نیست. روی دستگاه را نباید پوشانند.

• هرگز از دستگاه در مجاورت مواد اشتعال‌زا استفاده نکنید.

• مطمئن شوید که دستگاه، سیم برق و دوشاخه در تماس با منبع گرما مانند صفحات داغ پخت و شعله‌ی مستقیم قرار ندارد.

• مطمئن شوید که دستگاه، سیم برق و دوشاخه با آب در تماس نیستند.

موارد احتیاط آمیز هنگام استفاده

هرگز از دستگاه در فضای روباز استفاده نکنید.

• هرگز از دستگاه در اتاق مرطوب استفاده نکنید.

• دستگاه را روی سطحی ثابت و پایدار که امکان افتادن آن وجود نداشته باشد، قرار دهید

• قبل از لمس کردن دستگاه، دوشاخه یا سیم برق مطمئن شوید که دستانتان خشک باشد.

• در صورت درست کار نکردن و قبل از تمیزکاری، نصب قطعات، جداکردن لوازم جانبی یا جمع‌آوری دستگاه بعد از استفاده، ابتدا آن را خاموش کرده سپس دوشاخه را از پریز جدا کنید.

• در صورت روشن بودن دستگاه هرگز آن را بدون مراقبت رها نکنید.

• در هنگام روشن بودن دستگاه یا زمانیکه دستگاه هنوز داغ است، آن را حرکت ندهید. دستگاه را خاموش کنید و قبل از حرکت دادن آن صبر کنید تا کاملاً خنک شود.

• مطمئن شوید که فضای آزاد کافی در اطراف دستگاه (حداقل ۱۰ سانتی‌متر) و بالای دستگاه (حداقل ۳۰ سانتی‌متر) وجود دارد.

• در هنگام روشن بودن دستگاه، درب شیشه‌ای داغ می‌شود. بنابراین همیشه برای باز و بسته کردن آن از دستگیره‌ی روی درب استفاده کنید.

• برای بیرون آوردن سینی پخت، گریل یا سیخ جوجه‌گردان از ابزار مخصوص که همراه با آن موجود است، استفاده کنید.

• از قرار دادن این اشیاء در بالای آون خودداری کنید: مقوا، پلاستیک، کاغذ، شمع و مواد اشتعال‌زا

• زمانی که درب دستگاه باز است، اشیاء سنگین روی آن قرار ندهید.

• زمانی که درون سینی پخت، مایعات یا روغن داغ وجود دارد آن را با دقت بیرون بیاورید.

• از تماس آب با درب دستگاه در زمان روشن بودن یا زمانی که درب آون هنوز داغ است، خودداری کنید. این کار باعث شکستن شیشه خواهد شد.

پیش از استفاده از وسایل برقی، هشدارهای ایمنی اولیه را می باید در نظر داشت:



دستورالعمل‌های کاربردی

بابت خرید آون برقی که شما می‌توانید از آن برای برشته‌کردن، پختن، گریل کردن و بریانی کردن لذیذترین غذاها استفاده کنید، از شما سپاسگزاریم. این آون ۲۶ لیتری دارای ترموستات قابل تنظیم، عملکرد فن هوای گرم و المنت‌های گرمایشی بالا و پایین برای گرم کردن یکدست بالا و پایین است.

عملکردهای ایمنی

موارد عمومی



لطفاً این دستورالعمل‌ها را به دقت بخوانید و برای مراجعات آینده نزد خود نگه‌دارید.

- از این دستگاه فقط مطابق با دستورالعمل‌های این دفترچه استفاده کنید.
- اجازه ندهید کودکان یا اشخاصی با محدودیت‌های حسی، جسمی یا ذهنی که قادر به استفاده از دستگاه نیستند، بدون نظارت افراد با تجربه دستگاه را به کار بیاورند.
- برای تعمیر دستگاه، حتماً آن را به مرکز خدمات پس از فروش فلر ببرید. هرگز سعی نکنید خودتان آن را تعمیر کنید.

نکات احتیاط آمیز برقی و گرمایشی



قبل از استفاده، ولتاژ برق محل استفاده را با ولتاژ دستگاه بررسی کنید و از هماهنگی بین آنها مطمئن شوید.

- دوشاخه‌ی دستگاه را فقط به پریز ارت‌دار وصل کنید.
- زمانی که از دستگاه استفاده نمی‌کنید، همیشه دوشاخه را از پریز جدا نگه‌دارید.
- برای جداکردن دوشاخه از پریز، خود دوشاخه را در دست بگیرید. از کشیدن سیم برای جداکردن دوشاخه، خودداری کنید.
- به‌طور منظم سیم دستگاه را مورد بررسی قرار دهید تا از سالم بودن آن مطمئن شوید. در صورت آسیب دیدگی از برق‌کاری ماهر یا مرکز خدمات پس از فروش فلر بخواهید تا آن را برایتان تعویض کند.
- در زمان استفاده از سیم رابط مطمئن شوید که سیم از ابتدا تا انتها سالم باشد.
- فقط از سیم رابط معتبر استفاده کنید.
- در هنگام روشن بودن دستگاه، قسمتهایی از آن داغ می‌شود. از تماس با آنها خودداری کنید چون ممکن است خود را بسوزانید.

Feller Germany



EO 261 BK



أون برقی